

# SENCOR®

SOC 1100SL  
SOC 1101RD  
SOC 1102TQ



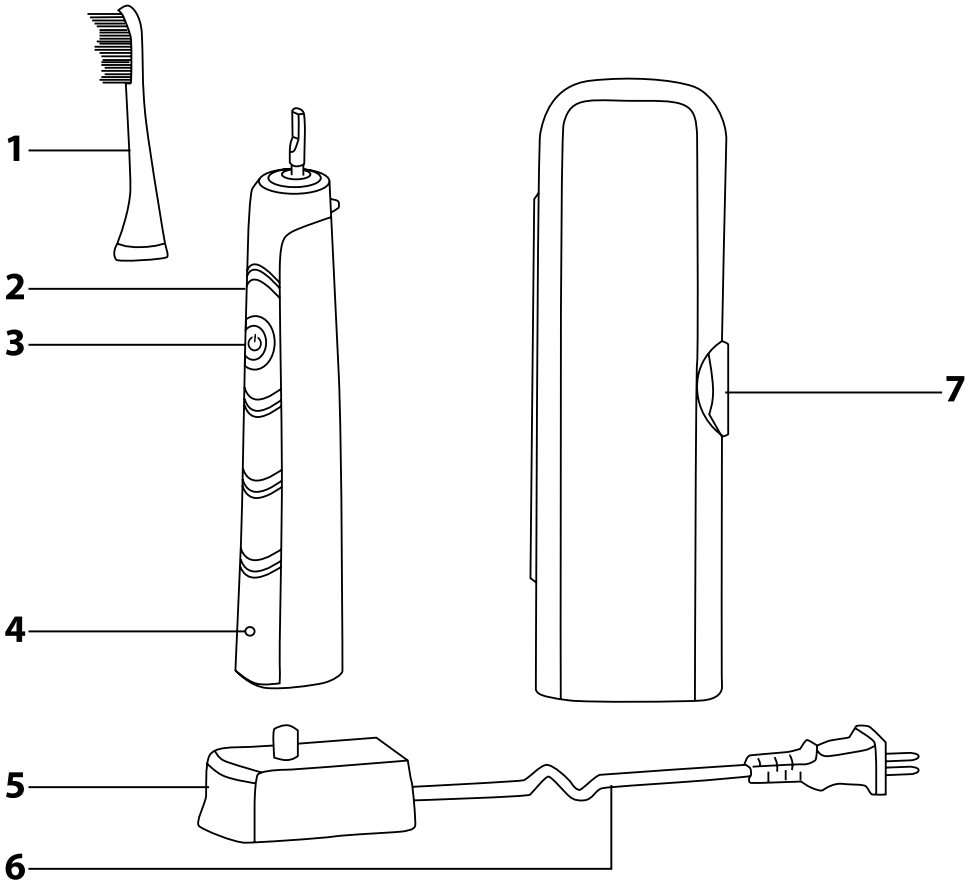
## EN ■ Electric Sonic Toothbrush

### READ CAREFULLY AND STORE FOR FUTURE USE.

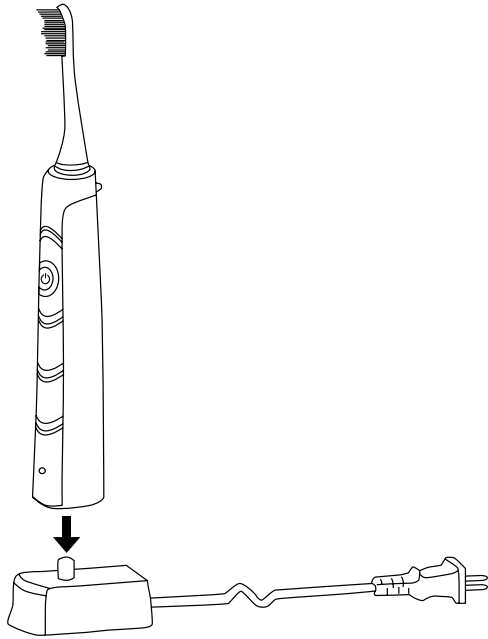
- This electric toothbrush may be handled by children and persons with physical, sensory or mental impairments, or insufficient experience and knowledge if they are under supervision or have been informed about how to use the electric toothbrush in a safe manner and understand the potential dangers. Children must not play with the electric toothbrush or with its charging stand.
- Cleaning and maintenance performed by the user must not be performed by unsupervised children.
- This toothbrush serves to clean teeth and gums. Do not use it for purposes other than those for which it was designed.
- Only use the supplied original charging stand to charge the toothbrush. Before connecting the charging stand to a power socket, make sure the voltage stated on its rating label corresponds to the voltage in your power socket.
- The toothbrush and its charging stand is intended for use in indoor areas. Do not expose it to the effects of the outdoor environment, extreme temperatures, direct sunlight or locate it in the vicinity of an open flame, heating elements and other equipment or appliances that could be potential sources of heat.
- Always locate the charging stand on an even and stable surface. Ensure that the power plug contacts do not come into contact with water or moisture.
- In the event that the charging stand is submerged in water, first disconnect it from the power socket and only then take it out of the water and dry it out thoroughly.
- Charge, use and keep the toothbrush at room temperature. Do not submerge it in hot water.
- For hygiene reasons, a toothbrush head should be used by only a single user. Regularly replace the toothbrush head every 3 months or sooner if it shows signs of wear. Use only original replacement toothbrush heads.
- When the toothbrush is used by children, supervise them while they are brushing their teeth until they acquire the proper tooth brushing technique.
- In the event that dental work or oral surgery was performed in the past two months, consult the use of a sonic toothbrush with your dentist.
- In the event that gum bleeding occurs when the toothbrush is used and if bleeding persists even after a week of its use, contact your dentist.
- In the event that using the toothbrush causes unpleasant or painful feelings, stop using the toothbrush and consult this situation with your dentist.
- In the event that you have a pacemaker or another implanted device, consult the use of the toothbrush with your doctor or manufacturer of the implant.

- Perform cleaning and maintenance according to the instructions in chapter Cleaning and maintenance.
- Disconnect the charging stand from the power socket by gently pulling the plug of the power cord, and not the power cord itself. Otherwise, this could damage the power cord or the socket.
- Do not make any modifications to the toothbrush or its charging stand.
- In the event that the toothbrush, charging stand or its power cord are damaged in any way, do not use it. The power cord on the charging stand cannot be replaced. In the event that it is damaged, the charging stand must be disposed of and replaced with a new one. For replacement of a charging stand that is damaged or has a damaged power cord and for all repairs of the toothbrush, contact an authorised service centre. Do not repair the toothbrush yourself. By tampering with the product you risk voiding your legal rights arising from unsatisfactory performance or quality warranty.

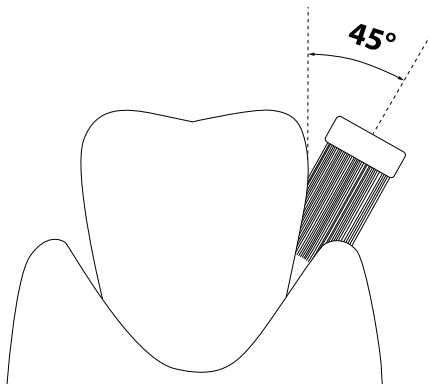
**A**



**B**



**C**



# Electric Sonic EN Toothbrush

## User's manual

- Prior to using this appliance, please read the user's manual thoroughly, even in cases, when one has already familiarised themselves with previous use of similar types of appliances. Only use the appliance in the manner described in this user's manual. Keep this user's manual in a safe place where it can be easily retrieved for future use.
- We recommend saving the original cardboard box, packaging material, purchase receipt and responsibility statement of the vendor or warranty card for at least the duration of the legal liability for unsatisfactory performance or quality. In the event of transportation, we recommend that you pack the appliance in the original box from the manufacturer.

### DESCRIPTION OF THE TOOTHBRUSH AND ITS ACCESSORIES

|  |   |
|--|---|
| <b>A1</b> Toothbrush head*   | <b>A4</b> LED indicator signals the operation or charging of the toothbrush |
| <b>A2</b> Ergonomically-shaped anti-slip handle  | <b>A5</b> Charging stand  |
| <b>A3</b> Button for turning the toothbrush on and off and setting the vibration speed (max. 41 000 vibrations per minute) | <b>A6</b> Power cord  |
|  | <b>A7</b> Travel case   |



**\*Note:**  
2 toothbrush heads are included.

### ATTACHING AND REMOVING THE TOOTHBRUSH HEAD

- Make sure that the toothbrush is turned off before attaching or removing a toothbrush head **A1**.
- Attach the toothbrush head **A1** by sliding it on to the handle **A2** from above. Make sure that there is a strong connection of both parts.
- Remove the toothbrush head **A1** by pulling it off away from the handle **A2**.

### CHARGING THE TOOTHBRUSH

- This toothbrush has a built-in Li-Ion battery that enables cordless operation.
- Make sure that the toothbrush is turned off before charging it.
- Locate the charging stand **A5** on an even and stable surface and plug the power cord **A6** into a power socket (100–240 V).
- Put the toothbrush on to the stand **A5** from above, see figure B. The LED indicator **A4** will be lit red. This signals the charging process. When the battery is fully charged, the LED indicator **A4** will be lit blue. After fully charging, disconnect the charging stand **A5** from the power socket.



**Note:**  
Allow the toothbrush to charge for at least 15 hours before first use and after not using it for a long time.  
If you are charging the toothbrush for the first time or if you have not used it for a long time, it may take up to 10 minutes before the LED indicator **A4** lights up.

- A fully charged toothbrush will provide approximately 180 hours of operation. If you brush your teeth twice a day for 2 minutes, the toothbrush will last for 45 days without needing to be recharged.

### HOW TO ACHIEVE THE LONGEST POSSIBLE BATTERY LIFETIME

- To ensure the longest possible lifetime of the battery, we recommend:
  - Store, use and charge the battery at room temperature. Excessively high temperatures may negatively affect its lifetime.
  - do not unnecessarily leave the battery fully charged or completely flat for too long.
  - do not keep the battery permanently fully charged.
  - do not fully discharge the battery.

### USING THE TOOTHBRUSH

- Make sure that the toothbrush is properly assembled before using it. Wet the toothbrush bristles and apply the toothpaste. Turn on the toothbrush by pressing button **A3**.

### 1. CORRECT BRUSHING TECHNIQUE

- We recommend to start by brushing the right half of the upper dental arch from the outer side. When brushing, proceed from back to front. Place the toothbrush bristles on to the teeth at an angle of 45° in line with the gum, see figure C. Using short slow motions, move the toothbrush to the other teeth. Once the outer side of the upper right dental arch is brushed, move the toothbrush to the inner side of the dental arch. Again, proceed from back to front. Adjust the toothbrush angle to the tooth arrangement. When brushing the inner side of the front teeth of the upper dental arch, hold the toothbrush handle **A2** vertical so that the tip of the toothbrush head **A1** points upwards. Finally, brush the upper tooth surfaces.
- In the same way, brush the right half of the lower dental arch, the left half of the lower dental arch and finally also the left half of the upper dental arch. When brushing the inner side of the front teeth of the lower dental arch, hold the toothbrush handle **A2** vertical so that the tip of the toothbrush head **A1** points downwards.

### 2. SPEED SETTING

- To increase the vibration speed, hold down button **A3** for 3 seconds. This can be done repeatedly until the desired speed is achieved. The change in the speed setting is indicated by a short flash of the LED indicator **A4**.
- Another way to increase the speed is to hold down button **A3** for a long time. The speed will increase gradually. The increasing speed is indicated by the flashing LED indicator **A4**. When the maximum speed level is achieved, the whole setting cycle will repeat from the beginning. Release button **A3** when the desired speed is achieved.
- The set vibration speed is stored in memory.
- Initially, until one becomes accustomed to the new way of brushing their teeth, it is recommended to set a lower speed.

### 3. 4PACER FUNCTION

- The toothbrush has a timer function that momentarily pauses the toothbrush every 30 seconds until it turns off automatically, thereby informing the user that it is time to start brushing the next part of your teeth. This will ensure that all the dental quadrants are brushed for the same amount of time.

### 4. AUTOMATIC SHUT-OFF TIMER

- The automatic shut-off timer automatically turns the toothbrush off after 2 minutes of operation. This is the tooth brushing time recommended by dentists for the sonic toothbrush.
- When you have finished using it, make sure that the toothbrush is turned off and clean it according to the instructions contained in chapter Cleaning and maintenance. Then put it back on to the charging stand **A5** or into the case **A7**. Before putting it into the case **A7**, it is necessary to remove the head **A1** from the toothbrush handle **A2**.

### CLEANING AND MAINTENANCE

- For hygiene reasons, regularly clean the toothbrush after every use.
- Make sure that the toothbrush turned off before cleaning it.
- Thoroughly rinse the toothbrush head **A1** under lukewarm running water to remove any toothpaste or other remains. If whitening pastes are used when brushing teeth, it is recommended to apply a drop of soap on to the toothbrush head **A1** and then thoroughly wash it under running lukewarm water.
- Rinse the toothbrush handle **A2** under running lukewarm water and then dry it.
- In the event that the charging stand **A5** is soiled, wipe it with a clean dampened cloth and then wipe dry. Make sure that the plug on the power cord **A6** does not come into contact with water or moisture.
- The travel case **A7** may be wiped with a dampened cloth or washed under lukewarm running water. Then dry it thoroughly.
- For cleaning, do not use abrasive cleaning products, thinners, etc. Otherwise the surface of the appliance may be damaged.

### REPLACING THE TOOTHBRUSH HEAD

- Regularly replace the toothbrush head **A1** every 3 months or sooner if it shows signs of wear. Use only original replacement toothbrush heads.
- Replacement toothbrush heads are available from you vendor both in online and brick&mortar stores.

### STORAGE

- When not using the toothbrush for an extended period of time, disconnect the charging stand **A5** from the power socket and put the toothbrush into the case **A7**.
- Store the case **A7** with the toothbrush and the charging stand **A5** in a dry, clean place.

## TECHNICAL SPECIFICATIONS

### Toothbrush

|  |                          |
|--|--------------------------|
| Battery .....  | Li-Ion / 3.7 V / 800 mAh |
| Operating time when fully charged .....                      | up to 180 minutes        |
| Noise level .....  | 65 dB(A)                 |
| Protection class level against damaging entry of water ..... | IPX7                     |

### Charging stand

|  |                             |
|--|-----------------------------|
| Input .....  | 100–240 V~, 50-60 Hz, 1.4 W |
| Electrical shock protection class .....                      | II                          |
| Protection class level against damaging entry of water ..... | IPX7                        |

The declared noise emission level is 65 dB(A), which represents a level A of sound power with respect to a reference sound power of 1 pW.

### Explanation of technical terminology

Safety class for electrical shock protection:

Class II – Electrical shock protection is provided by double or heavy-duty insulation.

Protection class level against damaging entry of water:

IPX7 – The appliance is protected against damaging entry of water when submerged at a depth of 1 metre for 30 minutes.

Changes to text and technical parameters are reserved.

## INSTRUCTIONS AND INFORMATION REGARDING THE DISPOSAL OF USED PACKAGING MATERIALS

Dispose of used packaging material at a site designated for waste in your municipality.

## REMOVING THE BATTERY AT THE END OF THE PRODUCT'S LIFETIME

Prior to disposing of the product or handing it over at a specialised collection facility, it is necessary to ensure that the built-in battery is removed. Allow the battery to discharge before removing it. To remove the battery, proceed as follows. Wrap the toothbrush handle **A2** into an unneeded piece of cloth and place it on an even, stable surface. Using a small hammer, hit the handle from the side a few times in the vicinity of the LED indicator **A4**. Rotate the handle **A2** and repeat this procedure until the bottom cover is released from the handle **A2**. After releasing the cover, remove it and take out the built-in battery. Battery removal may also be performed at an authorised service centre. In the event that the product has been disassembled for the purpose of ecological disposal then it must not be reassembled.

## BATTERY DISPOSAL



The battery contains environmentally damaging substances and therefore does not belong in standard household waste. Hand it over for proper disposal at respective collection locations.

## DISPOSAL OF USED ELECTRICAL AND ELECTRONIC EQUIPMENT



This symbol on products or original documents means that used electric or electronic products must not be added to ordinary municipal waste. For proper disposal, renewal and recycling hand over these appliances to determined collection points. Alternatively, in some European Union states or other European countries you may return your appliances to the local retailer when buying an equivalent new appliance.

Correct disposal of this product helps save valuable natural resources and prevents potential negative effects on the environment and human health, which could result from improper waste disposal. Ask your local authorities or collection facility for more details.

In accordance with national regulations penalties may be imposed for the incorrect disposal of this type of waste.

### For business entities in European Union states

If you want to dispose of electric or electronic appliances, ask your retailer or supplier for the necessary information.

### Disposal in other countries outside the European Union

This symbol is valid in the European Union. If you wish to dispose of this product, request the necessary information about the correct disposal method from the local council or from your retailer.



This product meets all the basic requirements of EU directives related to it.