



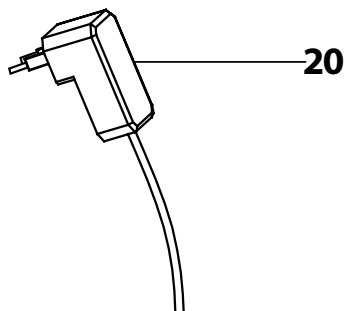
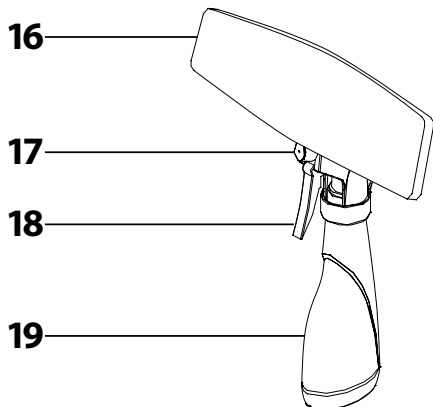
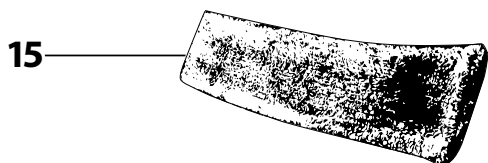
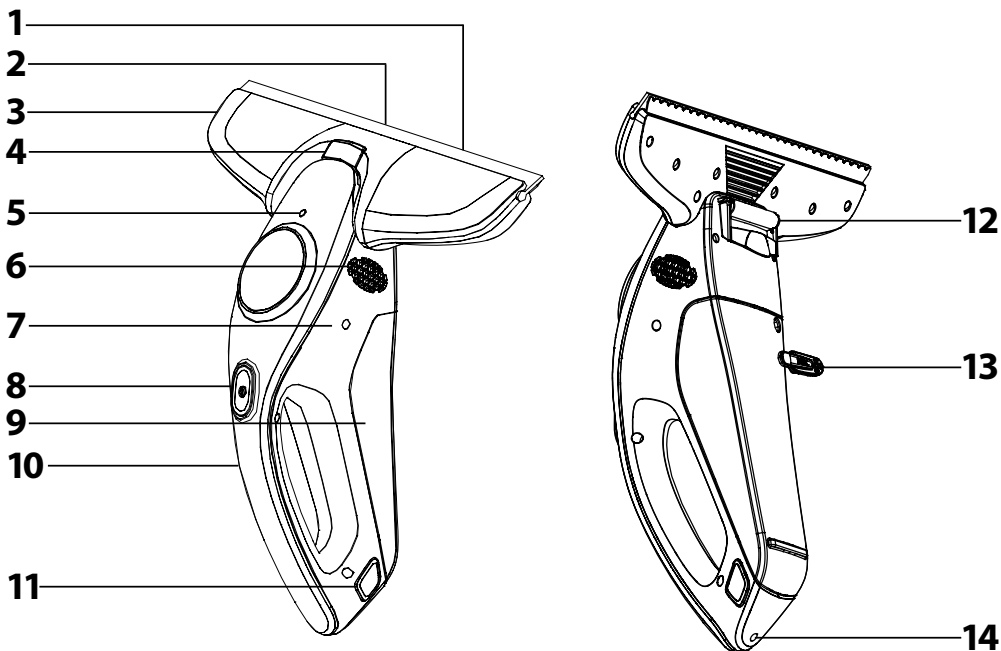
EN ■ Window cleaner

READ CAREFULLY AND STORE FOR FUTURE USE.

- This appliance may be used by persons with physical or mental impairments or by inexperienced persons, if they are properly supervised or have been informed about how to use this appliance in a safe manner and understand the potential dangers. Cleaning and maintenance performed by the user must not be performed by unsupervised children. Children must not play with the appliance.
- This appliance is designed for household use only. Do not use it for commercial purposes.
- This appliance is used for cleaning wet, smooth surfaces such as windows, mirrors, shower enclosures, floor or wall tiles. Do not use it to vacuum dust or for other purposes for which it is not intended.
- Only use the appliance with the original power adapter and accessories that came with it.
- Before connecting the adapter to a power socket, check that the technical details on its rating label match the electrical voltage in the power socket.
- Make sure the adapter power cord is not touching a hot surface or sharp objects. Position the adapter power cord so that it will not be tripped over.
- Do not expose the appliance to direct sunlight and do not place it near an open fire or appliances that are a source of heat.
- Never submerge the appliance or its power adapter in water or any other liquid and do not wash it under running water.
- Fill the spray tank with water at a temperatures of up to 40 °C. Using water that is too hot could result in deformation of the tank.
- Only use the appliance for vacuuming low-foaming alcohol-free detergent solutions.
- Before turning on the appliance, check that it is properly assembled.
- Ensure that the appliance's ventilation vents are not blocked while it is running.
- Do not use the appliance to vacuum the following items:
 - flammable liquids or aggressive chemical substances;
 - oil-based liquids;
 - liquids with a temperature exceeding 40 °C;
 - larger volumes of liquid from horizontal surfaces such as water spilled from overturned glasses.
- Do not point the sprayer at equipment containing electrical components such as, for example the inside of an oven.

- Regularly check the water level in the tank. While holding the appliance in a vertical position, the water level in the tank must not exceed the maximum mark. Otherwise, the appliance will not function correctly and water may leak out of the tank.
- A small amount of foam forming on top of the water level in the tank presents no problem. However, the foam must not go past the maximum mark.
- Always turn off the appliance when you have finished using it, when leaving it without supervision, prior to cleaning and before connecting it to a power socket by means of the power adapter.
- Always disconnect the power adapter from the power socket before cleaning the appliance and after it has finished charging.
- Disconnect the power adapter from the power socket by pulling on the plug, never pulling on the power cord. Otherwise, this could damage the power cord or the socket.
- A damaged power adapter must be replaced with an original type. For a replacement power adapter, please contact an authorised service centre. It is forbidden to use a damaged power adapter.
- Do not use the appliance if it is leaking, if it has fallen or if it is showing visible signs of damage. To avoid a hazardous situation arising, do not repair the device yourself or modify it in any way. Have all repairs or adjustments performed at an authorised service centre. By tampering with the appliance, you risk voiding your legal rights arising from unsatisfactory performance or quality warranty.

A



EN Window Cleaner

User's manual

- Prior to using this appliance, please read the user's manual thoroughly, even in cases, when one has already familiarised themselves with previous use of similar types of appliances. Only use the appliance in the manner described in this user's manual. Keep this user's manual in a safe place where it can be easily retrieved for future use.
- We recommend saving the original cardboard box, packaging material, purchase receipt and responsibility statement of the vendor or warranty card for at least the duration of the legal liability for unsatisfactory performance or quality. In the event of transportation, we recommend that you pack the appliance in the original box from the manufacturer.

DESCRIPTION OF THE APPLIANCE AND ACCESSORIES

A1 Removable rubber squeegee	A11 Tank release button is located on both sides of the handle.
A2 Suction opening	A12 Folding stand
A3 Removable suction nozzle	A13 Tank drain valve
A4 Suction nozzle release button	A14 Power adapter socket is fitted with a closable plug.
A5 LED battery power and charging indicator	A15 Textile mop sleeve
A6 Vents	A16 Wiping attachment
A7 Body of the appliance	A17 Spray nozzle
A8 On/Off button of the appliance	A18 Detergent spray trigger
A9 Removable dirty water tank	A19 Spray tank
A10 Handle	A20 Power adapter

ASSEMBLING AND DISASSEMBLING APPLIANCE

Window cleaner

- Assemble the window cleaner by attaching the suction nozzle **A3** to the body of the appliance **A7** and slide on the rubber squeegee **A1** from the side into the groove located in the suction opening **A2**. The correct connection of the nozzle **A3** is indicated by an audible click. Insert the removable tank **A9** into the body of the appliance **A7** with first the top part of the tank **A9** sliding into the area from underneath the handle **A10**. Then push the bottom part of the tank **A9** into the area from underneath the handle **A10** until the entire tank **A9** fits in its place. Make sure that the tank drain valve **A13** is properly closed.
- Disassemble in reverse sequence. To remove the tank **A9**, it is necessary to press buttons **A11** while at the same time releasing the bottom end of the tank **A9** and then pull it away from the body of the appliance **A7** to remove the entire tank **A9**.

The sprayer

- Assemble the sprayer by screwing the spray nozzle on to the spray tank **A19**. Attach the textile mop sleeve **A15** on to the wiping attachment **A16**.
- Disassemble the the sprayer in the reverse sequence.

FILLING THE SPRAYER

- Fill the spray tank **A19** with a solution of water and a small amount of detergent (alcohol-free). When diluting concentrated cleaning agents, follow the instructions on their packaging.
- Fill the spray tank **A19** with water at a temperatures of up to 40 °C. Using water that is too hot could result in deformation of the tank.
- After filling up, attach the spray nozzle to the tank.

CHARGING THE APPLIANCE

- The window cleaner has a built-in Li-Ion battery that needs to be charged before the appliance is used.
- Check that the window cleaner is turned off. Plug the power adapter connector **A20** into the socket **A14**. Plug the adapter plug **A20** into a power socket.
- After connecting to a power socket, the LED indicator **A5** will be lit red. This signals that the battery is being charged. A full charge requires approximately 4 hours. The actual charging time depends on the power level of the battery.

- Once the charging process is complete and the battery is fully charged, the LED indicator **A5** will be lit blue. Disconnect the window cleaner from the power adapter **A20** and disconnect the adapter plug **A20** from the power socket.
- After disconnecting from the power adapter **A20**, cover the socket **A14** with the plug to prevent the entry of water or humidity.
- A fully charged window cleaner will run for approximately 20 minutes. Then it is necessary to recharge it.

OPERATING THE APPLIANCE

- Use the appliance at an ambient temperature between 5 and 40 °C. Make sure that the window cleaner is properly assembled and fully charged.
- To apply the cleaning agent, press the spray trigger **A18** and evenly spray the given surface with the detergent solution. Wipe the soiled areas with the textile mop sleeve **A15**. Now put the spray aside and pick up the window cleaner.
- Start the window cleaner by pressing button **A8**. Place the suction opening **A2** with the squeegee **A1** on to the surface on to which the detergent solution was previously applied, and pull the window cleaner to travel over this surface and vacuum away the detergent solution from the cleaned surface. You can travel over the surface up and down or side to side.



Note:

If you do not wish to use the sprayer, you may apply the cleaning agent in the normal manner.

- Regularly check the liquid level inside the tank **A9**. If it reaches the maximum mark, turn off the window cleaner by pressing button **A8**. Hold the window cleaner in a horizontal position above a sink or wash basin, and open the drain valve **A13**. Once the tank **A9** is empty, close the drain valve **A13**, and you may continue cleaning.
- In the event that battery voltage declines during operation, the LED indicator **A5** will start flashing red for a while and then turn off. The window cleaner will automatically turn off to prevent damaging the built-in battery by completely discharging it. To charge the battery, follow the instructions described in chapter Charging the appliance.
- When you have finished using the window cleaner, always turn it off by pressing button **A8**, clean it out and allow it to recharge for the next use.

MAINTENANCE AND CLEANING

- Before cleaning it, always make sure that the window cleaner is turned off and disconnected from the power socket.
- Disassemble the suction nozzle **A3** from the body of the window cleaner **A7**. Clean it with a dampened cloth with an addition of neutral cleaning agent, and then rinse it under clean running water. Allow it to dry naturally or wipe it dry.
- Remove the tank **A9** from the body of the window cleaner **A7**. Over a sink or wash basin, open the drain valve **A13** and empty out the tank **A9**. Then rinse it out thoroughly with clean water. Wipe its surface dry and allow it to dry naturally. Thoroughly and regularly clean the tank **A9** after every use. The dirt accumulated inside the tank **A9** has an effect on the functionality of the appliance.
- Remove any remaining cleaning solution from the spray tank **A19**. Rinse out the tank **A19** with clean water and allow it to dry naturally.
- Remove the textile mop sleeve **A15** from the attachment **A16** and wash it under running water with the addition of a small amount of detergent and then rinse under clean running water. Allow it to dry naturally. You may also wash the textile mop sleeve in a washing machine at a temperature of up to 60 °C, but do not use a fabric softener.
- If the rubber squeegee **A1** or the textile mop sleeve **A15** show signs of wear, replace these parts with new ones. Spare parts are available at brick and mortar stores, and online stores. For replacement, it is necessary to pull the rubber squeegee **A1** outwards from the side of the suction nozzle **A3** and to insert a new squeegee in its place.
- Prior to assembly, make sure that all parts of the appliance are dry.
- For cleaning the appliance, do not use steel wool, abrasive cleaning products, solvents, etc.
- Do not submerge the body of the appliance **A7** in water or any other liquid and do not rinse it under running water.

TECHNICAL SPECIFICATIONS

Power adapter

Input 100–240 V~, 50/60 Hz, 200 mA

Output 4.58 V $\overline{=}$, 700 mA

Electrical shock protection class II

Window cleaner

Power input 15 W

Battery Li-Ion / 3.6 V

Protection level against entry of water IPX4

Noise level 70 dB(A)

Time required for charging to full capacity approximately 4 h

Operating time when fully charged approximately 20 min

Removable tank capacity 100ml

Spray tank capacity 200ml

The declared noise emission level is 70 dB(A), which represents a level A of sound power with respect to a reference sound power of 1 pW.

Explanation of technical terminology

Protection level against entry of water:

IPX4 – The appliance is protected against spraying water.

Safety class for electrical shock protection:

Class II – Electrical shock protection is provided by double or heavy-duty insulation.

We reserve the right to change text and technical specifications.

INSTRUCTIONS AND INFORMATION REGARDING THE DISPOSAL OF USED PACKAGING MATERIALS

Dispose of used packaging material at a site designated for waste in your municipality.

DISPOSAL OF BATTERIES



Prior to disposing of the product or handing it over at a specialised collection facility, it is necessary to ensure that the built-in battery is removed. Before removing the battery, it is necessary to start the window cleaner and wait until it is completely flat. Battery removal will be performed at the authorised service centre.

The battery contains environmentally damaging substances and therefore does not belong in standard household waste. Their correct disposal will be performed by the respective collection facility.

DISPOSAL OF USED ELECTRICAL AND ELECTRONIC EQUIPMENT



This symbol on products or original documents means that used electric or electronic products must not be added to ordinary municipal waste. For proper disposal, renewal and recycling hand over these appliances to determined collection points. Alternatively, in some European Union states or other European countries you may return your appliances to the local retailer when buying an equivalent new appliance.

Correct disposal of this product helps save valuable natural resources and prevents potential negative effects on the environment and human health, which could result from improper waste disposal. Ask your local authorities or collection facility for more details.

In accordance with national regulations penalties may be imposed for the incorrect disposal of this type of waste.

For business entities in European Union states

If you want to dispose of electric or electronic appliances, ask your retailer or supplier for the necessary information.

Disposal in other countries outside the European Union.

This symbol is valid in the European Union. If you wish to dispose of this product, request the necessary information about the correct disposal method from the local council or from your retailer.



This product meets all the basic requirements of EU directives related to it.