

# Electric Food Slicer

User's manual

EN



**SENCOR®**

SFS 4050SS

Prior to using this appliance, please read the user's manual thoroughly, even in cases, when one has already familiarised themselves with previous use of similar types of appliances. Only use the appliance in the manner described in this user's manual. Keep this user's manual in a safe place where it can be easily retrieved for future use.

We recommend saving the original shipping cardboard box, packaging material, receipt and warranty card for at least the duration of warranty. In the event of transportation, pack the appliance using the original packaging materials only.

EN-1

## TABLE OF CONTENTS

IMPORTANT SAFETY INSTRUCTIONS . . . . .	3
DESCRIPTION OF THE ELECTRIC FOOD SLICER . . . . .	5
BEFORE FIRST USE . . . . .	5
ASSEMBLING THE ELECTRIC FOOD SLICER . . . . .	6
USING THE ELECTRIC FOOD SLICER . . . . .	6
CLEANING AND MAINTENANCE . . . . .	7
STORAGE . . . . .	7
TECHNICAL SPECIFICATIONS . . . . .	8
INSTRUCTIONS AND INFORMATION REGARDING THE DISPOSAL OF USED PACKAGING MATERIALS . . . . .	8
DISPOSAL OF USED ELECTRICAL AND ELECTRONIC EQUIPMENT . . . . .	8

## IMPORTANT SAFETY INSTRUCTIONS

- Children must not use this appliance or play with it. Keep this appliance and its power cord out of reach of children.
- This appliance may be used by persons with physical or mental impairments or by inexperienced persons, if they are properly supervised or have been informed about how to use the product in a safe manner and understand the potential dangers.

## IMPORTANT SAFETY INSTRUCTIONS READ CAREFULLY AND STORE FOR FUTURE USE.

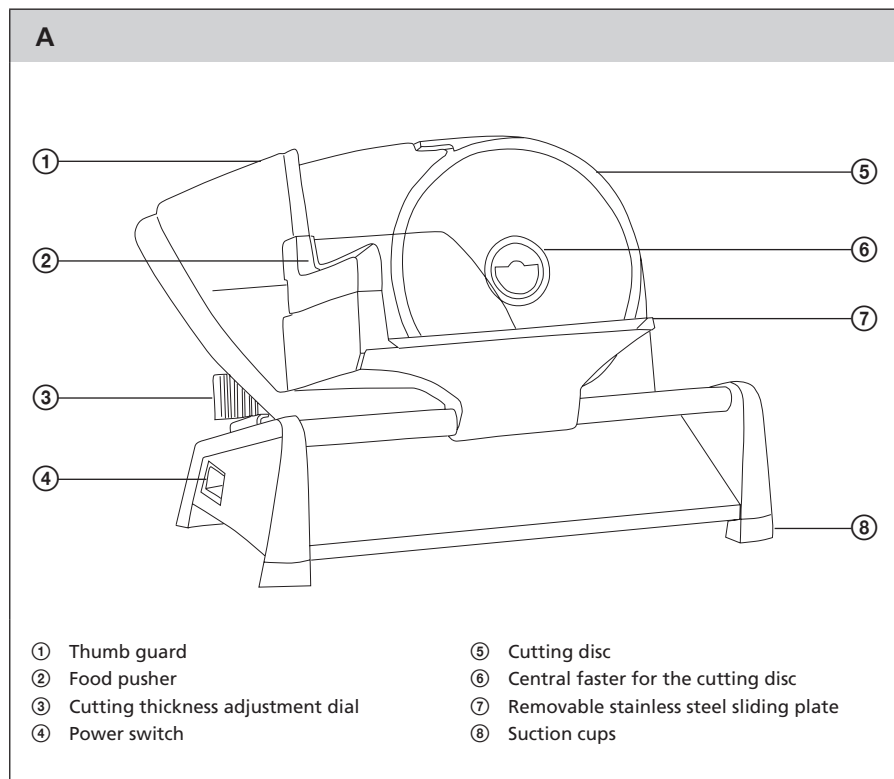
- Before connecting this appliance to the socket outlet, make sure the voltage stated on the label of the appliance corresponds to the voltage in your power socket.
- Never use accessories, which have not been supplied with this appliance or which have not been explicitly recommended by the manufacturer for this appliance.
- This appliance is designed for household use.
- Do not use the appliance in an industrial environment or outdoors!
- Do not place the appliance on window sills or on unstable surfaces. Only place the appliance on an even, dry and stable surface.
- Do not place the appliance in the vicinity of an open flame or appliances that are sources of heat.
- Ensure that the power plug contacts do not come into contact with water or moisture.
- Do not wash the drive unit under running water or submerge it in water or another liquid.
- Only use the appliance for slicing food excluding hard baked goods, frozen food, food in plastic or aluminium foils, meat with bones, fruit with hard stones, etc.
- Before every use check that the slicing disc is properly attached to the appliance.
- For pushing food against the cutting disc use only the food pusher supplied with this appliance.
- Do not touch the rotating cutting disc.
- If food gets stuck on the cutting disc, clean it using a plastic spatula. Before cleaning the appliance, turn it off and disconnect it from the power socket.
- Do not insert your fingers or any other items, such as knives, forks, etc. into the area between the cutting thickness setting plate and the cutting disc.
- Check that the cutting disc has come to a complete stop before taking away the food.
- The maximum time of non-stop operation is 10 minutes. After 10 minutes of operation leave the appliance idle for 15 at least minutes.
- Always disconnect the appliance from the power socket if you will not be using it and if you are leaving it without supervision, before assembly, disassembly or cleaning.
- Do not disconnect the appliance from the power socket by pulling on the power cord. This could damage the power cord or the power socket. Disconnect the cord from the power socket by gently pulling the plug of the power cord.
- Pay increased attention when handling the cutting disc to prevent injury caused by the blade.
- If the power cord is damaged, have it replaced at a specialised service centre. It is forbidden to use the appliance if it has a damaged power cord or plug.
- To avoid the danger of injury by electrical shock, do not repair the appliance yourself or make any adjustments to it. Have all repairs or adjustments of the appliance performed at an authorised service centre. Tampering with the appliance during the warranty period may void the warranty.

# Electric Food Slicer

SFS 4050SS

EN

## DESCRIPTION OF THE ELECTRIC FOOD SLICER



## BEFORE FIRST USE

- 1) Take the appliance and its accessories out of the packaging materials.
- 2) Wash the accessories (disassembled cutting disc A⑤, sliding plate A⑦, food pusher A②, thumb guard A①) that come into contact with foodstuffs, in hot water using kitchen detergent. Then thoroughly rinse them under flowing water and dry thoroughly with a wiping cloth.



### Attention:

Be careful when handling the cutting disc A⑤ to prevent injury caused by the blade.

## ASSEMBLING THE ELECTRIC FOOD SLICER

- 1) Place the food slicer on an even, dry and stable surface, e.g. on a kitchen workbench.
- 2) Fit the cutting disc A⑤ on to the drive unit by turning the central fastener A⑥ anticlockwise all the way.

**Attention:**

When handling the cutting disc use the central fastener A⑥. To avoid injury, do not touch the blade.

- 3) Using the thickness adjustment dial A③ set the plate A⑦ to position 0 mm. Attach the thumb guard A① to the sliding plate A⑦. Place the sliding plate A⑦ on to the base tilting plate.

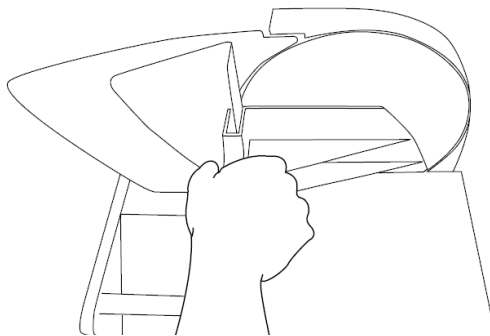
## USING THE ELECTRIC FOOD SLICER

- 1) Using the thickness adjustment dial A③ set the plate to the required position.
- 2) Connect the power cord to an el. power socket.

**Attention:**

Before connecting the power cord to an electrical power socket, check that the cutting disc A⑤ is properly attached to the drive unit.

- 3) Place food on the sliding plate so that it is located between the food pusher A② and the cutting thickness setting plate.
- 4) Use your left thumb to press the power switch A④. The drive unit will start and the cutting disc A⑤ will start to rotate. Rest your right thumb against the thumb guard A① and place the remaining fingers on the outer side of the food pusher. Move the sliding plate A⑦ back and forward and move the food using the food pusher A② to the cutting disc A⑤. The correct holding position is shown in figure B.

**B**



**Note:**

If food gets stuck to the cutting disc A⑤, stop slicing and clean the cutting disc A⑤ using a plastic spatula. Before cleaning the food slicer, turn it off and disconnect it from the power socket.

We recommend that you wet the cutting disc A⑤ before cutting cheese.

Some food may cause discolouration of plastics. However, this does not have any effect on the functionality of the food slicer.

- 5) Turn the food slicer off using the power switch A④.
- 6) Before taking away slices or remains of sliced food, ensure that the cutting disc A⑤ has come to a complete stop.
- 7) After finishing using the appliance, disconnect it from the power socket.

## CLEANING AND MAINTENANCE

- Before cleaning the appliance, always turn it off and disconnect it from the power socket. Using the thickness adjustment dial A③, set the plate to position 0 mm.
- After each use remove any food remains from the food slicer. Clean parts that come into contact with food using a wiping cloth dipped in clean water and then dry with a wiping cloth.
- For a more thorough clean, disassemble the food pusher A②, the sliding plate A⑦ and the cutting disc A⑤. Clean these parts using warm water and kitchen detergent. Then thoroughly rinse under flowing water and dry them.



**Note:**

Remove the cutting disc A⑤ by turning the central fastener A⑥ clockwise and take it off the drive unit.



**Attention:**

Pay extra attention when handling the cutting disc A⑤. To avoid injury, do not touch the blade.

- Before using again, assemble the appliance according to the instructions in chapter Assembling the electric food slicer.
- Wipe the outer surface of the drive unit and the base plate using a dry wiping cloth.
- For cleaning do not use thinners, solvents or cleaning agents that cause abrasion.

## STORAGE

- When not using the appliance, store it in a dry place out of children's reach.

## TECHNICAL SPECIFICATIONS

Rated voltage range .....	220–240 V
Rated frequency .....	50/60 Hz
Rated power input .....	150 W
Electrical shock protection class .....	II
Noise level .....	85 dB(A)

The declared noise emission level of the appliance is 85 dB(A), which represents a level A of sound power with respect to a reference sound power of 1 pW.

### Explanation of technical terminology

Safety class for electric shock protection:

Class II – Electric shock protection is provided by double or heavy-duty insulation.

We reserve the right to change text and technical specifications.

## INSTRUCTIONS AND INFORMATION REGARDING THE DISPOSAL OF USED PACKAGING MATERIALS

Dispose of used packaging material at a site designated for waste in your municipality.

## DISPOSAL OF USED ELECTRICAL AND ELECTRONIC EQUIPMENT



This symbol on products or original documents means that used electric or electronic products must not be added to ordinary municipal waste. For proper disposal, renewal and recycling hand over these appliances to determined collection points. Alternatively, in some European Union states or other European countries you may return your appliances to the local retailer when buying an equivalent new appliance. Correct disposal of this product helps save valuable natural resources and prevents potential negative effects on the environment and human health, which could result from improper waste disposal. Ask your local authorities or collection facility for more details. In accordance with national regulations penalties may be imposed for the incorrect disposal of this type of waste.

### For business entities in European Union states

If you want to dispose of electric or electronic appliances, ask your retailer or supplier for the necessary information.

### Disposal in other countries outside the European Union.

This symbol is valid in the European Union. If you wish to dispose of this product, request the necessary information about the correct disposal method from the local council or from your retailer.



This appliance meets all the basic requirements of EU directives related to it.