

# SENCOR®

SOH 3213WH / SOH 3313BK  
SOH 3211WH / SOH 3311BK  
SOH 3209WH / SOH 3309BK  
SOH 3207WH / SOH 3307BK



## EN ■ Electric Oil Filled Radiator

**This product is only suitable for well insulated spaces or occasional use.**

### READ CAREFULLY AND STORE FOR FUTURE USE.

- This appliance may be used by children 8 years of age and older and by persons with physical or mental impairments or by inexperienced persons, if they are properly supervised or have been informed about how to use this product in a safe manner and understand the potential dangers. Cleaning and maintenance performed by the user must not be performed by unsupervised children.
- Children younger than 3 years of age should be prevented from accessing the appliance unless they are under constant supervision.
- Children from 3 to 8 years of age may only turn this appliance on and off under the condition that it is located or installed in its intended normal operating position and that they are under supervision or were informed about the safe operation of the appliance and understand the potential hazards. Children from 3 to 8 years of age must not insert the plug into the power socket, clean the appliance or adjust its settings or carry out maintenance performed by the user.



#### ATTENTION:

Certain parts of this appliance may become very hot and cause burns. Special attention should be paid when children and handicapped people are present.

If the power cord is damaged, it must be replaced by the manufacturer, its authorised service centre or by a similarly qualified person, this will prevent the creation of a dangerous situation.



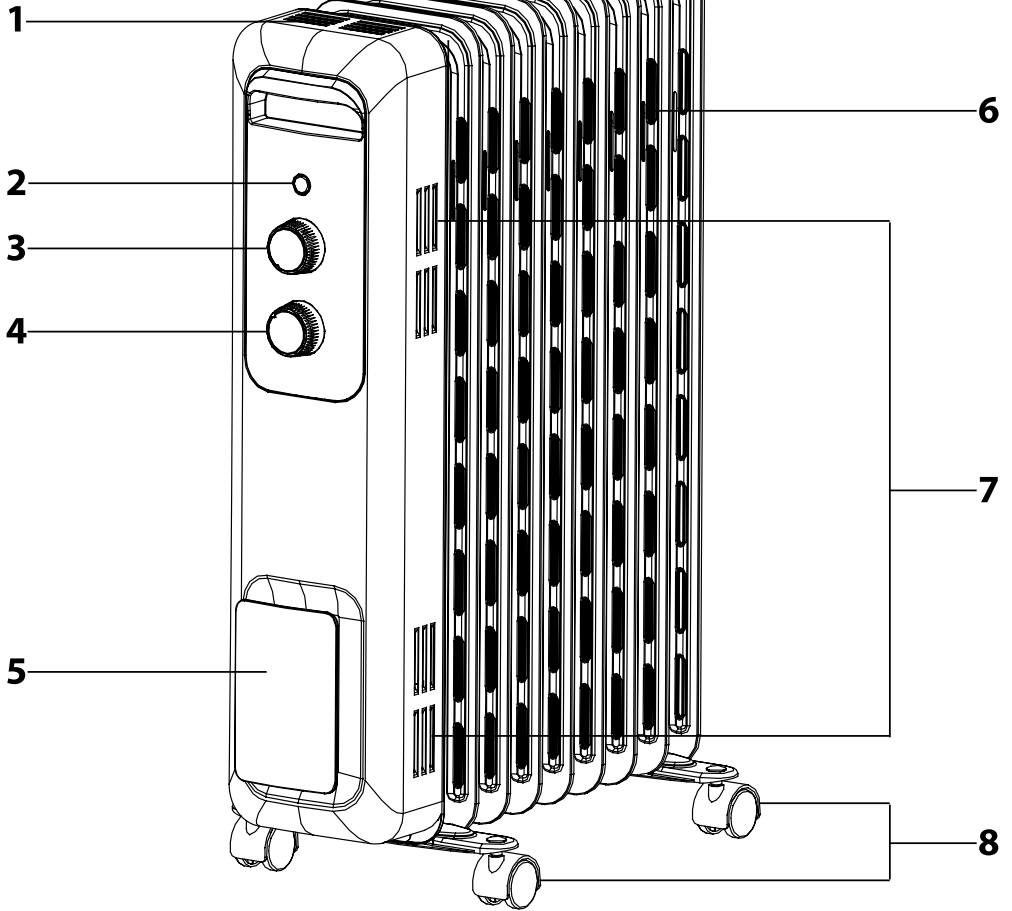
#### WARNING:

To prevent overheating, do not cover the appliance.

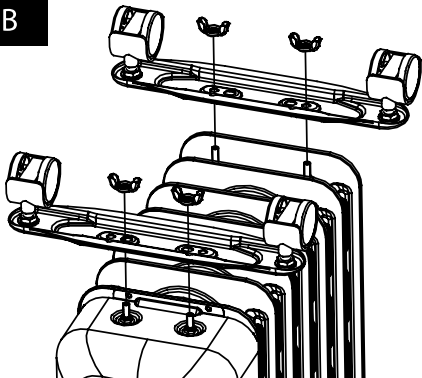
- The appliance must not be located directly underneath a power socket.
- Do not use the appliance in the near vicinity of a bath, shower or swimming pool.
- When putting the appliance out of operation, follow regulations governing the handling of oil.
- Children must not play with the appliance.
- This appliance is designed for use in households, offices and similar types of areas. We do not recommend using this appliance in rooms measuring less than 5 m<sup>2</sup>.
- Before connecting the appliance to a power socket, check that the rated voltage on its rating label matches the electrical voltage in the power socket.
- Connect the appliance only to a properly grounded socket.

- Do not use it in very dusty or humid rooms such as laundries, in areas where flammable chemicals are stored, in industrial surroundings or outdoors.
- Do not place the appliance in the vicinity of an open flame or other sources of heat.
- Do not place the appliance on unstable surfaces such as carpets with very long and thick fibres, couches, etc. Only place the appliance on an even, dry and stable surface.
- This appliance is not intended to be mounted on a wall.
- Do not use the appliance unless it is correctly assembled.
- This appliance may only be connected to a power socket when it is properly assembled and standing in the upright position as shown in figure A.
- Do not insert any items through the ventilation slots. Otherwise the appliance may be damaged.
- When in operation, there must be a clearance of at least 50 cm around the appliance to ensure air circulation and a clearance of 1 m from flammable materials must be maintained.
- Do not leave the appliance in operation while sleeping.
- Always turn off the appliance and disconnect it from the power socket, before disassembling, moving or cleaning it. Allow it to cool down before disassembling, moving or cleaning it.
- To prevent potential injury by electrical shock, do not submerge any part of the appliance in water or any other liquid.
- Disconnect the appliance from the power socket by pulling on the plug, never pulling on the power cord. Otherwise, this could damage the power cord or the socket.
- In order to prevent a hazardous situation arising, do not repair the appliance yourself or modify it in any way. By tampering with the appliance, you risk voiding your legal rights arising from unsatisfactory performance or quality warranty.
- The manufacturer is not responsible for any damages caused by the incorrect use of this appliance.

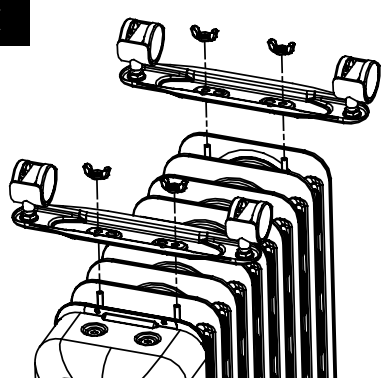
**A**



**B**



**C**



- **This product is only suitable for well insulated spaces or occasional use. Information relating to local electric heaters according to Commission Directive EU 2015/1188 is provided in the attachment to this user's manual.**
- Prior to using this appliance, please read the user's manual thoroughly, even in cases, when one has already familiarised themselves with previous use of similar types of appliances. Only use the appliance in the manner described in this user's manual. Keep this user's manual in a safe place where it can be easily retrieved for future use.
- We recommend saving the original cardboard box, packaging material, purchase receipt and responsibility statement of the vendor or warranty card for at least the duration of the legal liability for unsatisfactory performance or quality. In the event of transportation, we recommend that you pack the appliance in the original box from the manufacturer.

## DESCRIPTION OF THE ELECTRIC OIL FILLED RADIATOR

- |                             |                                            |
|-----------------------------|--------------------------------------------|
| A1 Upper ventilation slots  | A5 Power cord winding storage space holder |
| A2 Light control            | A6 Radiator heating elements               |
| A3 Temperature control dial | A7 Side ventilation slots                  |
| A4 Power level dial         | A8 Travel wheels                           |

## ASSEMBLING THE ELECTRIC OIL FILLED RADIATOR




### Attention:

Never connect the oil filled heater to a power socket prior to starting installation or during the course of the installation. Before starting the installation, check the oil filled radiator for damage, e.g. caused by a fall or transportation.


- Place the oil filled radiator inversely with the bottom upward. We recommend putting a soft blanket or soft mat on the place where you will assemble the oil fitted radiator.
- Connect and tighten two travel wheels **A8** to the body of the oil fitted radiator with butterfly nuts – as shown in the figure B (models SOH 3207WH and SOH 3307BK), or in the figure C (models SOH 3209WH, SOH 3309BK, SOH 3211WH, SOH 3311BK, SOH 3213WH, SOH 3313BK).
- When the travel wheels **A8** are correctly assembled, place the oil fitted radiator on the solid and dry surface. Ensure all travel wheels **A8** touch the ground and the oil fitted radiator is not deviated on any side.

## CONTROLLING THE ELECTRIC OIL FILLED RADIATOR

### TURNING ON AND SETTING THE MODE

- Plug in the oil fitted radiator. To turn on the oil fitted radiator, turn the temperature control dial **A3** to right towards the  symbol. The oil fitted radiator starts to work.
- Under normal circumstances, turn the power level dial **A4** to power level III to speed up the heating. If the room temperature reaches a suitable temperature, choose a lower power "II" or "I". You can reduce the temperature by turning the temperature control dial **A3** to left.

### TURNING OFF

- Turn the power level dial **A4** to 0 position and turn the temperature control dial to left up to the  symbol. Then pull out the power plug.



### Note:

A slight odour may be felt when the oil filled radiator is first turned on or after an extended period where it has not been used. This event will go away after a short while.

## STORING THE POWER CORD

- You can store the power cord directly in the area in the front part of the oil filled radiator by winding around the holder **A5**.

## THERMAL PROTECTION

- This oil filled radiator model is equipped with a two-level thermal protection:
- The first level (self-resetting thermal fuse) turns off the oil filled radiator in the event of overheating, where the internal temperature of the electronics reaches 100 °C. In this case it is necessary to leave the radiator turned off for several minutes. As soon as it cools down, the thermal fuse is automatically deactivated and it is possible to continue to use the radiator.
- Second level (non-resetting thermal fuse) will be activated if the first level fails and at the same time the internal temperature of the electronics reaches 140 °C. In this case it is necessary to contact an authorised service centre, which will return the radiator to working order by professional intervention.

## MAINTENANCE AND CLEANING

- Ensure that the appliance is turned off and that it has cooled down before cleaning it.
- Clean the appliance using a soft dry cloth. Do not use chemicals or abrasive cleaning products for cleaning. Otherwise the surface of the appliance may be damaged.
- Do not spray the appliance with water or submerge it in water or another liquid.

## STORAGE

- If you will not be using the appliance, store it in a dry, clean place out of children's reach. Allow the appliance to cool down before storing.

## TECHNICAL SPECIFICATIONS

Model	SOH 3213WH	SOH 3313BK	SOH 3211WH	SOH 3311BK	SOH 3209WH	SOH 3309BK	SOH 3207WH	SOH 3307BK
Colour	white	black	white	black	white	black	white	black
Number of heating elements	13	13	11	11	9	9	7	7
Power levels	I = 1000W II = 1500W III = 2500W	I = 1000W II = 1500W III = 2500W	I = 1000W II = 1300W III = 2300W	I = 1000W II = 1300W III = 2300W	I = 800 W II = 1200W III = 2000W	I = 800 W II = 1200W III = 2000W	I = 600W II = 900W III = 1500W	I = 600W II = 900W III = 1500W
Rated voltage	220–240 V~	220–240 V~	220–240 V~	220–240 V~	220–240 V~	220–240 V~	220–240 V~	220–240 V~
Rated frequency	50Hz	50Hz	50Hz	50Hz	50Hz	50Hz	50Hz	50Hz
Max. rated power input	2500W	2500W	2300W	2300W	2000W	2000W	1500W	1500W

We reserve the right to change text and technical specifications.

## INSTRUCTIONS AND INFORMATION REGARDING THE DISPOSAL OF USED PACKAGING MATERIALS

Dispose of used packaging material at a site designated for waste in your municipality.

## DISPOSAL OF USED ELECTRICAL AND ELECTRONIC EQUIPMENT



This symbol on products or original documents means that used electric or electronic products must not be added to ordinary municipal waste. For proper disposal, renewal and recycling hand over these appliances to determined collection points. Alternatively, in some European Union states or other European countries you may return your appliances to the local retailer when buying an equivalent new appliance.

Correct disposal of this product helps save valuable natural resources and prevents potential negative effects on the environment and human health, which could result from improper waste disposal. Ask your local authorities or collection facility for more details.

In accordance with national regulations penalties may be imposed for the incorrect disposal of this type of waste.

### For business entities in European Union states

If you want to dispose of electric or electronic appliances, ask your retailer or supplier for the necessary information.

### Disposal in other countries outside the European Union

This symbol is valid in the European Union. If you wish to dispose of this product, request the necessary information about the correct disposal method from the local council or from your retailer.



This product meets all the basic requirements of EU directives related to it.