



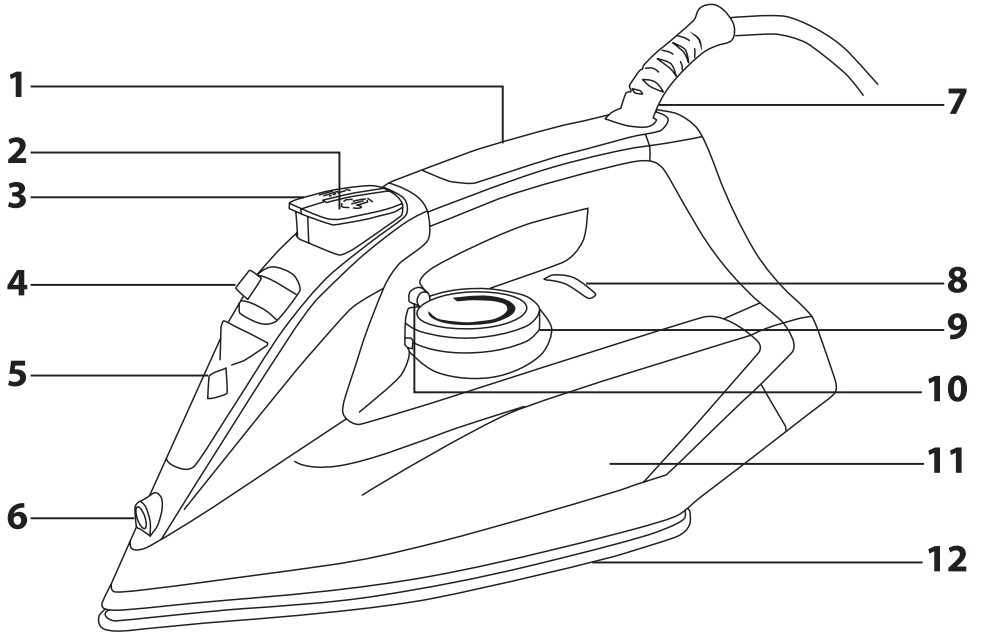
EN ■ Steam Iron

READ CAREFULLY AND STORE FOR FUTURE USE.

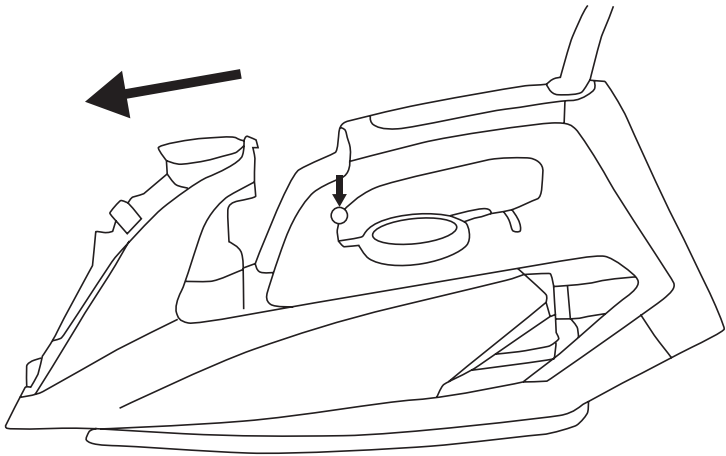
- This iron may be used by children 8 years of age and older and by persons with physical or mental impairments or by inexperienced persons, if they are properly supervised or have been informed about how to use the iron in a safe manner and understand the potential dangers. Do not allow children to play with the iron. Cleaning and maintenance performed by the user must not be performed by unsupervised children. If it is connected to a power socket or if it is cooling down, keep the iron and its power cord out of reach of children younger than 8 years of age.
- This iron is designed for home use. Do not use it in industrial surroundings or outdoors.
- Before connecting the iron to a power socket, check that the nominal voltage stated on the rating label matches the electrical voltage in the socket.
- Connect the iron only to a properly grounded socket.
- The iron must not be left without supervision when connected to a power socket.
- Do not place the iron on or near an electric or gas stove or other sources of heat.
- The iron may be used only on a stable, even surface. This also applies for putting down the iron. When putting the iron down on to the stand, check that the surface on which the stand is located is stable.
- Do not touch the iron with wet or damp hands when it is connected to a power socket.
- Never iron clothing directly on the body.
- Do not touch the hot soleplate. Otherwise, this could cause burns.
- Always disconnect the iron from the power socket when leaving it without supervision, when filling up or emptying the water tank and when you have finished using it. Before disconnecting the iron from a power socket, turn off the steam function and set the temperature control dial to the MIN. position.
- Never fill the water tank directly underneath a water tap. Always use the supplied container for filling the water tank. Never add vinegar, descaling agents or other additives to the water tank.
- Prior to cleaning or any other handling of the iron that you have disconnected from the power socket, allow the soleplate to cool down.
- To avoid potential injury by electrical shock, do not clean the iron under running water, do not spray it with water and do not submerge it in water or any other liquid.

- The iron must not be used if it has fallen on the floor, exhibits visible signs of damage or if it is leaking.
- Ensure that the power cord does not come into contact with water or a heated surface.
- Disconnect the iron from the power socket by gently pulling the plug of the power cord, and not the power cord itself. Otherwise, this could damage the power cord or the socket.
- If the power cord is damaged, have it replaced at a professional service centre or by a similarly qualified person, this will prevent the creation of a dangerous situation. It is forbidden to use the iron if it has a damaged power cord.
- To avoid the danger of injury by electrical shock, do not repair the iron yourself or make any adjustments to it. Have all repairs performed at an authorised service centre. By tampering with the product you risk voiding your legal rights arising from unsatisfactory performance or quality warranty.

A



B



EN Steam Iron

User's manual



Note:

The iron can be filled in the same way even without removing the water tank **A11**.

- Prior to using this appliance, please read the user's manual thoroughly, even in cases, when one has already familiarised themselves with previous use of similar types of appliances. Only use the appliance in the manner described in this user's manual. Keep this user's manual in a safe place where it can be easily retrieved for future use.
- We recommend saving the original cardboard box, packaging material, purchase receipt and responsibility statement of the vendor or warranty card for at least the duration of the legal liability for unsatisfactory performance or quality. In the event of transportation, we recommend that you pack the appliance in the original box from the manufacturer.

DESCRIPTION OF THE IRON

- A1** Anti-slip handle
- A2** Steam impulse button
- A3** Water spraying button
- A4** Variable steam emission control and Self-Clean function setting
- A5** Water tank filling opening cap
- A6** Water spraying nozzle
- A7** Swivel power cord end limits twisting and tangling of the power cord.
- A8** Indicator light signals maintenance of set temperature or automatic shut-off.
- A9** Temperature control dial enables correct temperature setting for ironing laundry.
- A10** Water tank release button When pressed, the water tank can be removed.
- A11** Removable transparent easy-to-fill water tank (capacity 200 ml)
- A12** Ceramic soleplate
- A13** Water tank filling container (not shown)

PREPARATION BEFORE IRONING

- Sort the laundry according to international symbols shown on the textiles or according to the fabric types.

| SYMBOL | FABRIC TYPE | SETTING THE TEMPERATURE DIAL |
|--------|---|------------------------------|
| | Synthetics (nylon, polyester, acrylic, viscose, etc.) | ● low temperature |
| | Silk – wool | ●● medium temperature |
| | Cotton – linen | ●●● high temperature |
| | Fabric, that should not be ironed | |

USING THE IRON

- Before first use, remove all packaging materials including promotion stickers and labels from the iron. Wipe the soleplate **A12** with a lightly dampened cloth before first use and then wipe dry.

1. FILLING THE WATER TANK

- Before filling the water tank **A11**, check that the iron is disconnected from the power socket and that the temperature control dial **A9** is set to the MIN position.
- Set the steam emission control **A4** to the position marked by the symbol . This will deactivate the steam emission function.
- Fill the included container **A13** with water. Use tap water (soft to medium water hardness). If water in your area is hard or very hard (more than 14 °dH / 2.5 mmol/l), we recommend that you mix tap water with distilled water at a ratio of 1:1.



Attention:

Never add water softeners, perfumes or other additives to the water.

- To make filling easier, the iron is equipped with a removable water tank **A11**. Press button **A10** while at the same time sliding the water tank **A11** out of the iron as shown in figure B. Open the filling opening cap **A5**. Make sure that the steam function is turned off, so that water does not drip from the underside of the water tank **A11**, and then slowly pour the water from the container **A13** through the filling opening into the water tank **A11**. Make sure that the water level does not rise above the maximum water level mark shown on the water tank **A11**.
- Close the filling opening cap **A5**. Put the water tank **A11** back, making sure that it correctly fits in place. Place the iron into the upright position.



Note:

Do not use the spraying function on silk and synthetics.

7. AUTOMATIC SHUT-OFF FUNCTION

- The iron will shut off automatically when left 8 minutes without movement in the upright position, or after 30 seconds without movement in the horizontal position. The automatic shut-off function is indicated by a warning sound and a flashing indicator light **A8**. If you move the iron, the automatic shut-off function will be deactivated and the iron will be put back into operation.

2. ANTI-CALC SYSTEM

- This iron is equipped with a permanent Anti-Calc filter, which limits the formation of limescale deposits inside the iron. This filter cannot be removed. The effectiveness of the filter depends on the hardness of the water used.

3. SETTING THE TEMPERATURE

- Place the iron in the upright position on an even and stable surface and connect the power cord to a power socket.
- Set the temperature on the temperature control dial **A9** according to the type of fabric that you wish to iron, see chapter Preparation before ironing. The indicator light **A8** will turn on. This signals that the soleplate **A12** is heating up. As soon as the soleplate **A12** heats up to the set temperature, the indicator light **A8** will turn off. Now you may commence ironing your laundry.
- During first use, a weak cracking sound caused by the expanding plastic may be heard. This is an entirely normal event, which will disappear in a short time.
- While ironing, the indicator light **A8** will intermittently turn on and off. This indicates that the set temperature is being maintained.
- First iron the laundry that requires the lowest temperature. This will save you time because the soleplate **A12** heats up faster than it cools down.
- If you iron some fabrics at a higher temperature and then set a lower temperature, it is necessary to wait until the soleplate **A12** cools down.
- To prevent damaging its surface, do not move the soleplate **A12** over sharp or hard items such as buttons or zips.

4. STEAM FUNCTION

- The continuous steam function can be used when the water tank **A11** is filled with water. If you wish to iron with steam, temperature must be set in the range from ●● to MAX. Moving the steam emission control **A4** toward the symbol variably increases the steam emission and vice versa. Take care not to accidentally start the Self-Clean function while ironing. Setting the steam emission control **A4** to position deactivates the steam function.
- In the event that the steam function is set at the same time as the temperature control dial **A9** is set to low ● or medium ●● temperature, water could drip out of the soleplate **A12**. For this reason, the iron is equipped with the Drop-Stop system, which automatically stops the steam process when the temperature control dial **A9** is not set to a high enough temperature, and thereby prevents potential dripping from the steam outlets.



Note:

The iron continuously emits steam only if you hold it in a horizontal position. You can stop the release of steam by standing the iron upright.



Attention:

Do not use the steam function for silk and synthetics so as not to damage the fabric.

5. STEAM IMPULSE FUNCTION

- Press the steam impulse button **A2** to generate a strong flow of steam, which can straighten out even very crumpled up textiles.
- Only use the steam impulse function when the temperature control dial **A9** is set to a temperature in the range from ●●● to MAX. In order to use this function, the water tank **A11** must be filled with water. If indicator light **A8** turns on, wait until it turns off and only then press the button **A2**. Wait at least 5 seconds before pressing the button **A2** again.
- The steam impulse function can also be used when ironing hanging textiles (e.g. curtains, garments hanging on coat hangers, etc.).



Attention:

Do not use the steam impulse function on silk and synthetics in order not to damage the fabric.

6. WATER SPRAYING FUNCTION

- The water spraying function can be used at any ironing temperature. Make sure that there is water in the water tank **A11**. To spray textiles with water using the nozzle **A6**, press button **A3**. When using the water spraying function for the first time or when you have not used the iron for a long time, it will be necessary to press button **A3** several times before the nozzle **A6** starts working correctly.



Note:

Do not use the spraying function on silk and synthetics.



Note:
Despite the iron being equipped with an automatic shut-off function, for safety reasons, never leave it without supervision when it is connected to a mains power socket.

8. TURNING OFF

- When you have finished using the iron, stand it upright and turn off the steam function using the steam emission control **A4**. Set the temperature control dial **A9** to the MIN position and disconnect the power cord from the power socket and allow the soleplate **A12** to cool down. After the soleplate **A12** has cooled down, clean the iron according to the instructions in chapter Cleaning and maintenance.

TIPS FOR QUALITY IRONING

- Do not fill the washing machine drum with too much laundry, otherwise it will be overly crumpled up. You can also avoid overly crumpled laundry by setting a lower spin drying speed.
- If you are ironing fabrics from blended materials (e.g. 40 % wool and 60 % synthetic material), set the temperature control dial **A9** according to the material that is ironed at a lower temperature.
- If you do not know the composition of the fabric, identify the suitable temperature dial setting by ironing a piece of the fabric from the underside. Start by setting the temperature control dial **A9** to a low temperature and gradually increase it until the ideal temperature is achieved.
- Never iron over places that have sweat marks or other stains. The high temperature fixes the stain, making it difficult to remove.
- To avoid silk, wool and synthetic fabrics from being shiny after ironing, iron them from the underside.
- Some materials are easier to iron when they are lightly damp.
- Spray fine fabrics before ironing them or iron them under a lightly dampened wiping cloth.

CLEANING AND MAINTENANCE

1. CLEAN AFTER EVERY USE



- Before cleaning the iron, turn it off according to the instructions in chapter Using the iron. The power cord must be disconnected from the power socket and the soleplate **A12** must be cool. Press button **A10** while at the same time sliding the water tank **A11** out of the iron. Make sure that the steam function is turned off, otherwise water will drip out the bottom of the water tank **A11**. Open the filling opening cap **A5** and then empty the remaining contents of the water tank **A11** over a sink. Then close the cap **A5** and put the water tank **A11** back in place. Make sure that it correctly fits in its place.



Note:
The water tank **A11** can be emptied in the same way even without removing it.

- In the event that the soleplate **A12** or the surface of the iron is dirty, wipe with a lightly dampened cloth and then wipe dry.
- For cleaning, do not use steel wool, solvents or cleaning products with an abrasive effect, etc. to prevent damaging the surface being cleaned. Do not submerge the iron in water when cleaning it.

2. REMOVING LIMESCALE DEPOSITS

- For the removal of limescale deposits from the inner part of the soleplate **A12**, the iron is equipped with a Self-Clean function. Use this function regularly at least once every 14 days.
- Make sure that the steam emission control **A4** is set to position  and that the iron is disconnected from the power socket. Fill the water tank **A11** with clean water up to the maximum water mark. Connect the iron to a power socket. Set the temperature control dial **A9** to maximum and wait until the indicator light **A8** turns off. Disconnect the iron from the power socket and hold it in a horizontal position above the sink. Set the steam emission control **A4** to the Self-Clean position and hold it down in this position. Steam and hot water will start to be emitted from the soleplate **A12**. At the same time also limescale deposits from the inner parts of the soleplate **A12** will be removed. Tilt the iron from side to side several times until the water tank **A11** is completely empty. Once it is empty, release the steam emission control **A4** and set it to position . You may repeat the entire process once more if necessary.
- Connect the iron to a power socket and allow it to heat up once more to the maximum temperature in order to dry out the soleplate **A12**. Iron over a piece of unneeded fabric to remove water stains that formed on the soleplate **A12** during the cleaning process. Then set the temperature control dial **A9** to the MIN position, disconnect the iron from the power socket and allow it to cool down.

TECHNICAL SPECIFICATIONS

Rated voltage range220–240 V
Rated frequency50/60 Hz
Rated power input2 000–2 400 W

Changes to text and technical parameters are reserved.

INSTRUCTIONS AND INFORMATION REGARDING THE DISPOSAL OF USED PACKAGING MATERIALS

Dispose of used packaging material at a site designated for waste in your municipality.

DISPOSAL OF USED ELECTRICAL AND ELECTRONIC EQUIPMENT



This symbol on products or original documents means that used electric or electronic products must not be added to ordinary municipal waste. For proper disposal, renewal and recycling hand over these appliances to determined collection points. Alternatively, in some European Union states or other European countries you may return your appliances to the local retailer when buying an equivalent new appliance.



Correct disposal of this product helps save valuable natural resources and prevents potential negative effects on the environment and human health, which could result from improper waste disposal. Ask your local authorities or collection facility for more details. In accordance with national regulations penalties may be imposed for the incorrect disposal of this type of waste.

For business entities in European Union states

If you want to dispose of electric or electronic appliances, ask your retailer or supplier for the necessary information.

Disposal in other countries outside the European Union.

This symbol is valid in the European Union. If you wish to dispose of this product, request the necessary information about the correct disposal method from the local council or from your retailer.



This product meets all the basic requirements of EU directives related to it.