



# Q-3 / Q-12S / Q-28S

Mini Array System

## Q3 Features

- Two-way passive
- 4" Neodymium woofer
- 3 x 0.5" dome tweeters
- 30W
- Aluminium cabinet

Q-3 is a mini speaker box which can be used stand alone or in a line array configuration. The array setup offers controllable coverage characteristics and remarkable versatility, especially in venues with difficult acoustic.

Designed for medium and small sound reinforcement applications, Q-3 system can be also the best solution for fixed installation where space is limited. The boxes being very compact and light, it makes a perfect sound system for live music performances and AV presentations.

Each Q-3 Array can be equipped up to eight boxes arranged in a curve. It is quite simple to optimize dispersion for the different acoustic requirements of various venues with a variable dispersion angle that can be set for 0, 4, 8 and 12 degrees. Simple installation requirements include hanging with the accessory mounting hardware. There are also other installations options such as a pre-install frame that can include a subwoofer.

Two passive Subs are available for the Q-3 system including Q-12S and Q-28S. Those woofers respectively features 12" and 2 x 8" transducers for a rated power of 300 W each. A pole mount system is available on both boxes for portable compact systems with four satellites.



Q-3



Q-12S



Q-28S



## Specifications

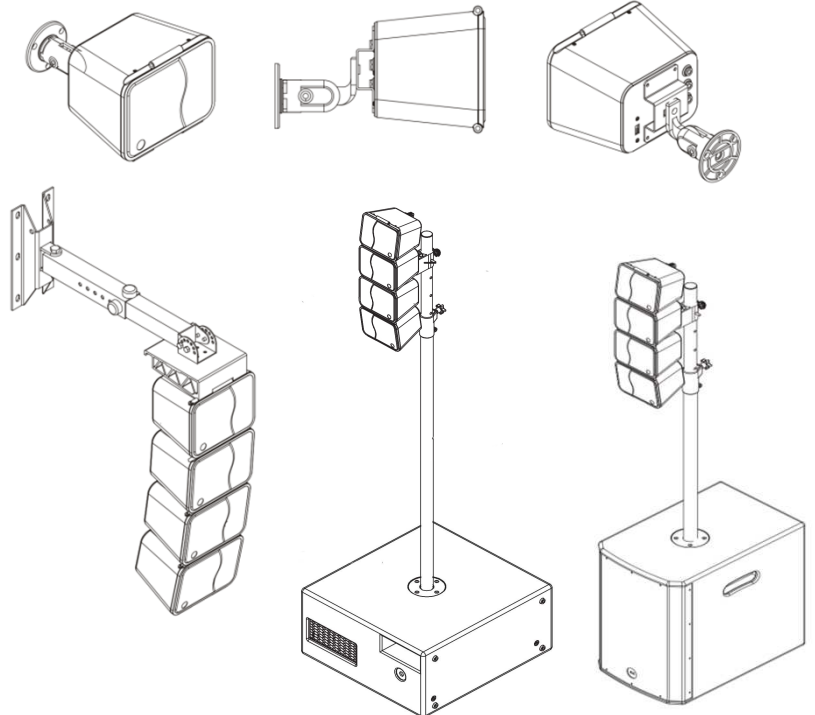
<b>Q3</b>	
<b>System Type</b>	4" 2-way Passive Satellite
<b>Rated Power</b>	30W
<b>Sensitivity</b>	88dB ; 91dB peak
<b>Frequency response</b>	100Hz - 20kHz (+/-10dB)
<b>Crossover frequency</b>	3.0 kHz
<b>Transducers</b>	LF: 4" Neodymium Woofer , 1" voice coil, 8 Ω HF: 3 x 0.5" Dome Tweeter, 16 Ω
<b>Connectors</b>	Parallel or Series 6.35 mm Jack socket, Selection Switch
<b>Dispersion (-6dB)</b>	110° Horizontal, 20° Vertical (One Module)
<b>Enclosure</b>	Aluminum Alloy Cabinet
<b>Finish</b>	Resistant Black Paint
<b>Fittings Information</b>	Steel Stirrup Material. 3 Flying Points M6 Threaded Sockets (3 on top)
<b>Dimensions</b>	141 x 170 x 162 mm (5.55" x 6.69" x 6.38")
<b>Net Weight</b>	1.52 kg / 3.35 lbs.

	<b>Q-12S</b>	<b>Q-28S</b>
<b>System Type</b>	12" Passive Vented Subwoofer	2x8" Passive Bandpass Subwoofer
<b>Rated Power</b>	300W Continuous; 600W program	300W Continuous; 600W program
<b>Sensitivity</b>	122dB continuous; 125dB peak	121dB continuous; 124dB peak
<b>Frequency Response</b>	45Hz - 2.8kHz (+/-10dB)	52Hz - 800Hz (+/-10dB)
<b>Impedance</b>	4 Ω	8 Ω
<b>Transducer</b>	12" Ferrite Woofer , 2.55" voice coil	2x8" Ferrite Woofer , 2" voice coil
<b>Input Connector</b>	4 PIN Terminal Block and 2 x NL-4 Speakon	4 PIN Terminal Block and 2 x NL-4 Speakon
<b>Enclosure</b>	Plywood Cabinet, Resistant Black Paint, Metal Grille	Plywood Cabinet, Resistant Black Paint, Metal Grille
<b>Mounting</b>	One metal Standard Pole-mount	One metal Standard Pole-mount
<b>Dimensions</b>	500 x 350 x 542 mm (19.69" x 13.78" x 21.33")	510 x 250 x 540 mm (20.08" x 9.84" x 21.26")
<b>Net Weight</b>	20.1 kg (44.1 lbs)	18.5 kg (40.78 lbs)

*Specifications subject to modification without notice*



### Optional Mounting Hardware



## SEIKAKU TECHNICAL GROUP LIMITED

NO.1 LANE 17, SEC.2, HAN SHI WEST ROAD, TAICHUNG 40151 TAIWAN

Tel: +886-4-22313737 Fax: +886-4-22346757 www.seikaku.hk