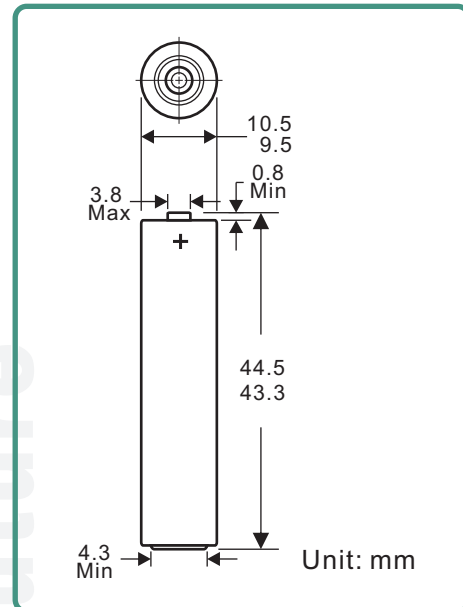


AAA(LR03)
General Features



▶ Designation	IEC-LR03 JIS-AM4 ANSI-24A Others-AAA,E92,MN2400
▶ Chemical system	Alkaline-Manganese Dioxide ※No added Mercury and Cadmium
▶ Nominal Voltage	1.5V
▶ Weight	Approx.11.2g
▶ Terminal	Flat
▶ Storage Temperature Range	-20°C~35°C
▶ Operating Temperature Range	-20°C~54°C
▶ Jacket	Foil Jacket
▶ Shelf Life	4 years(80% of rated capacity)
▶ Standards	IEC60086 2006/66/EC



Electrical Characteristics

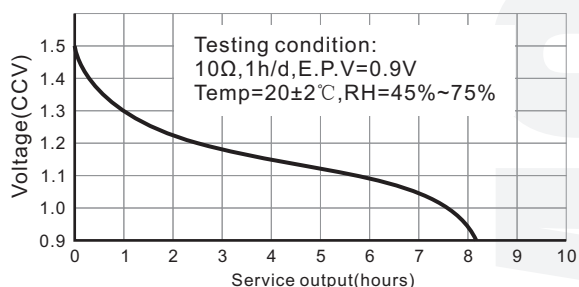
CONDITION	OCV (V)	CCV (V)	SCC (A)
Fresh Battery	1.60	1.50	7.0
After 3 mths	1.59	1.48	6.0
After 12 mths	1.58	1.47	6.0

Test Conditions Load resistance:20Ω±0.5%; Measuring time:0.2S; Temperature:20±2°C

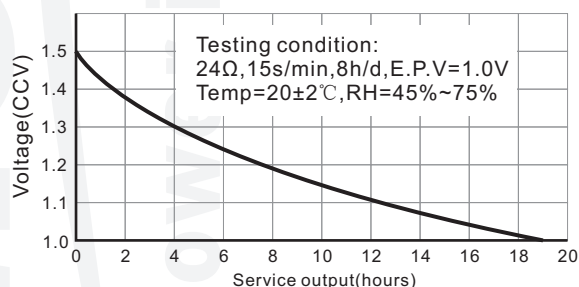
Discharge Characteristics: (20±2°C, RH:45%~75%)

Standard	Discharge Condition			Average Discharge Time		
	Discharge Load	Discharge Time	E.P.V.	Fresh Battery	After 12mths	After 36mths
IEC	75Ω	4h/d	0.9V	69.0h	64.0h	58.0h
IEC	10Ω	1h/d	0.9V	8.2h	8.0h	7.6h
IEC	5.1Ω	4m/h,8h/d	0.9V	235min	217min	205min
IEC	600mA	10s/m,1h/d	0.9V	350pulses	330pulses	280pulses
REF	20Ω	24h/d	0.9V	17.5h	16.5h	15.5h

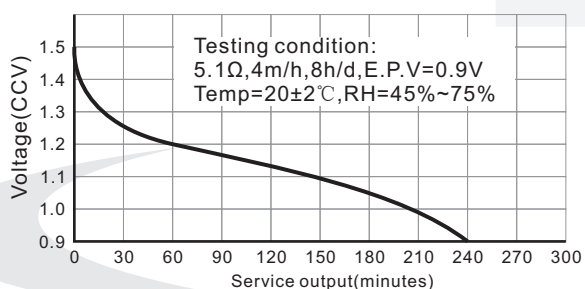
Constant Resistance Performance



Constant Resistance Performance



Constant Resistance Performance



Constant Resistance Performance

