

# MAINTENANCE-FREE BATTERY VRLA DEEP CYCLE

## VPRO SOLAR 74Ah 12V

**INDEKS:** 6AKXDEEP07  
**EAN:** 5904100450725

**DEEP CYCLE batteries** by **VOLT POLSKA** are superior deep cycle design with thick plates, high-density active materials and slightly stronger electrolyte, which can withstand repeated deep cyclic applications.

**The general features are:** safety sealing, non-spillable constructio, high power density, excellent recovery from deep discharge, thick plates and high active materials, longer life and low self-discharge design.

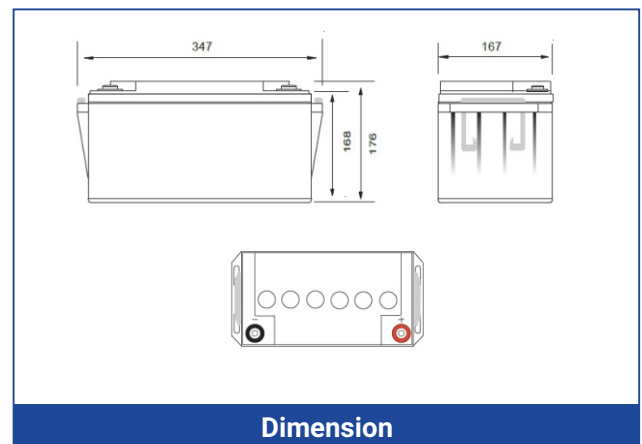
**DEEP CYCLE batteries** have 8-10years design life at 25°C. They can be applied in solar and wind power system, emergency power system, communication equipment, telecommunication systems, marine equipment, uninterruptible power supplies, medical equipment, fire and security system.

### Main technical data:

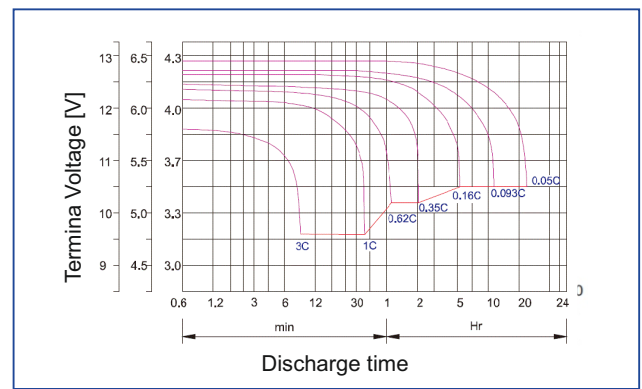
Nominal voltage		12V
Rated capacity		74 Ah
Dimension	total height	176 mm
	height	176 mm
	width	167 mm
	length	347 mm
Approx Weight		19.1kg ± 3%
Gross dimensions		36,4x20,3x26,5cm
Gross weight		29,1kg

### Other specification:

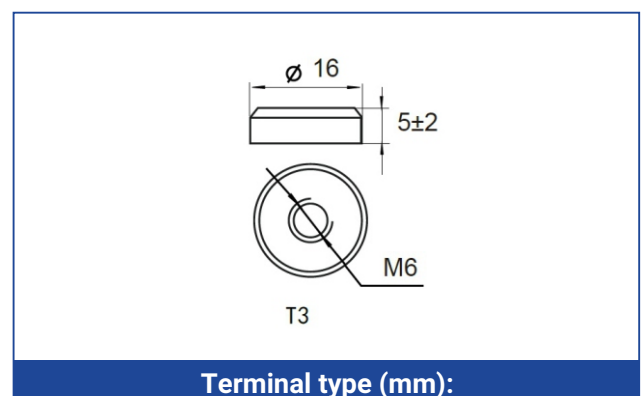
Internal Resistance		~ 5,8mΩ
Capacity affected by temperature	40°C	102%
	25°C	100%
	0°C	85%
	-15°C	65%
Self discharge (at 25°C)	3 months	91%
	6 months	82%
	12 months	65%
Working temperature		25°C +- 3 st.C
Working temperature	Discharge	-15°C to 50 st.C
	Charge	-10°C to 50 st.C
	Storage	-20°C to 50 st.C
Float Use (25°C)	13,5 VDC	13,8 VDC
Cycle Use (25°C)	14,1 VDC	14,4 VDC
Max charging current		18,5 A
Max discharge current		650 A (przez 5 s)
Design life (25°C)		8-10 years



**Dimension**



**Discharge characteristic curve at 25°C**



**Terminal type (mm):**