

# MAINTENANCE-FREE BATTERY VRLA DEEP CYCLE

## VPRO SOLAR 220Ah 12V

**INDEKS: 6AKXDEEP20**  
**EAN: 5903760240783**

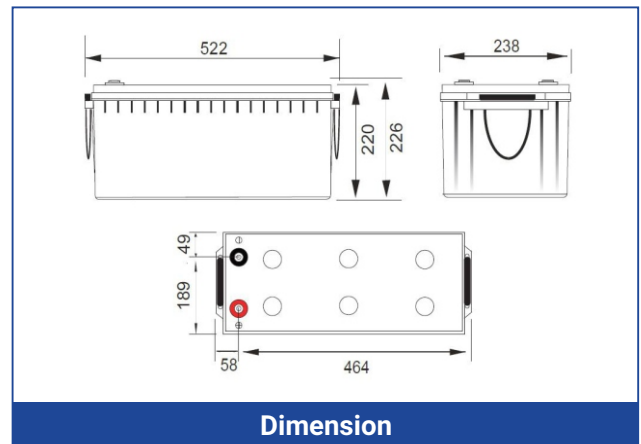
**DEEP CYCLE batteries** by **VOLT POLSKA** are superior deep cycle design with thick plates, high-density active materials and slightly stronger electrolyte, which can withstand repeated deep cyclic applications. **The general features are:** safety sealing, non-spillable construction, high power density, excellent recovery from deep discharge, thick plates and high active materials, longer life and low self-discharge design. **DEEP CYCLE batteries** have 8-10 years design life at 25°C. They can be applied in solar and wind power system, emergency power system, communication equipment, telecommunication systems, marine equipment, uninterruptible power supplies, medical equipment, fire and security system.

### Main technical data:

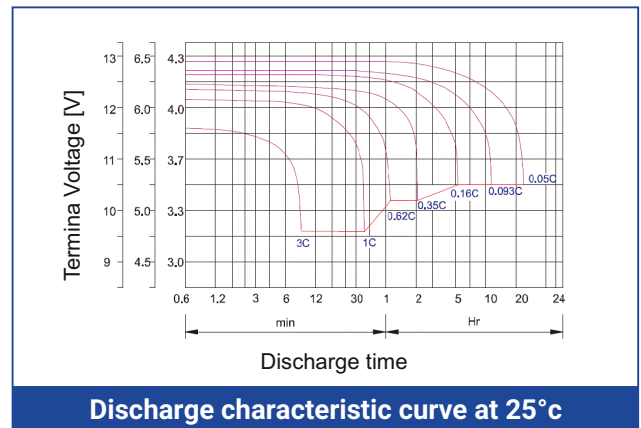
Nominal voltage		12V
Rated capacity		220 Ah
Dimension	total height	226 mm
	height	220 mm
	width	238 mm
	length	522 mm
Approx Weight		57kg (125.6lbs) +/- 3%
Gross dimensions		53x25x27,7cm
Gross weight		57,5kg

### Other specification:

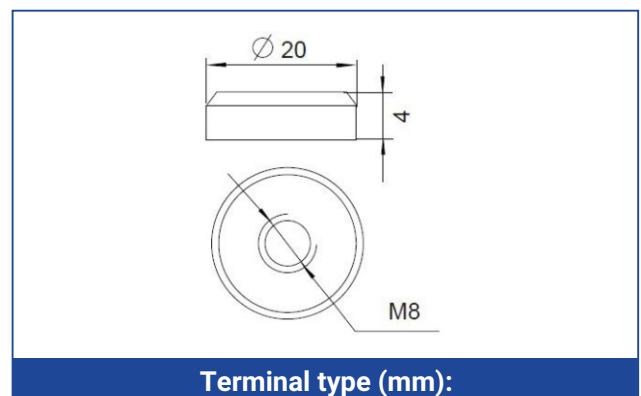
Capacity (at 25°C)	10h (10,8V)	220 Ah
	5h (10,5V)	160 Ah
	3h (10,2V)	150 Ah
	1h (9,6V)	120 Ah
Internal Resistance		~ 2,7mΩ
Capacity affected by temperature	40°C	102%
	25°C	100%
	0°C	85%
	-15°C	65%
Self discharge (at 25°C)	3 months	91%
	6 months	82%
	12 months	64%
Working temperature		25°C +/- 3°C
Working temperature	Discharge	-15°C to 50°C
	Charge	-10°C to 50°C
	Storage	-20°C to 50°C
Float Use (25°C)	13,5 VDC	13,8 VDC
Cycle Use (25°C)	14,1 VDC	14,4 VDC
Max charging current		60 A
Max discharge current		1400 A (5 s)
Design life (25°C)		8-10 years



**Dimension**



**Discharge characteristic curve at 25°C**



**Terminal type (mm):**