



**ULTIMATRON  
FRANCE**

**3 YEARS  
WARRANTY**

## Technical sheet

ULTIMATRON LiFePO4 Smart BMS Underseat of Camping Car 12.8V 180Ah

Compared with traditional batteries, our lithium iron phosphate batteries (LiFePO4) has many advantages:

- 3 year manufacturer's warranty
- The safest technology, without risk of fire or explosion
- Long service life
- Constantly improving storage capacity
- High stability even under extreme loads
- No memory effect, no need for full charge and discharge cycles
- High performance even under extreme conditions
- Deep and regular discharge and charging efficiency
- Small size and light weight



### Integrated Battery Management System (BMS)

To allow the control and the charge of the different elements of an accumulator battery and to protect it against overcharging, overvoltages and overheating.



Note: Series and parallel connection for 12V, 24V, 36V, 48V applications.



### Integrated Bluetooth 4.0 monitoring



You have all important battery data always on your smartphone or tablet. The application displays the data in real time.





**ULMATRON  
FRANCE**

# TECHNICAL SHEET

## ULM SMART BMS SERIE 12.8V

### ULMATRON LiFePO4 Smart BMS 12.8V 180Ah

#### ELECTRICAL PERFORMANCE

Nominal Voltage	12.8 V
Nominal Capacity	180 Ah
Capacity @ 36A	300 min
Energy	2304 Wh
Resistance	≤20 mΩ @ 50% SOC
Self Discharge	<3% / Month
Cells	32700 Cell 3.2V6Ah

#### CHARGE PERFORMANCE

Recommended Charge Current	20 A
Maximum Charge Current	50 A
Recommended Charge Voltage	14.6 V
Charge Cut-Off Voltage	<15.2 V (0.5 ~ 1.5 s)
Reconnect Voltage	>14.4 V
Balancing Voltage	<14 V
Maximum Batteries in Series	4

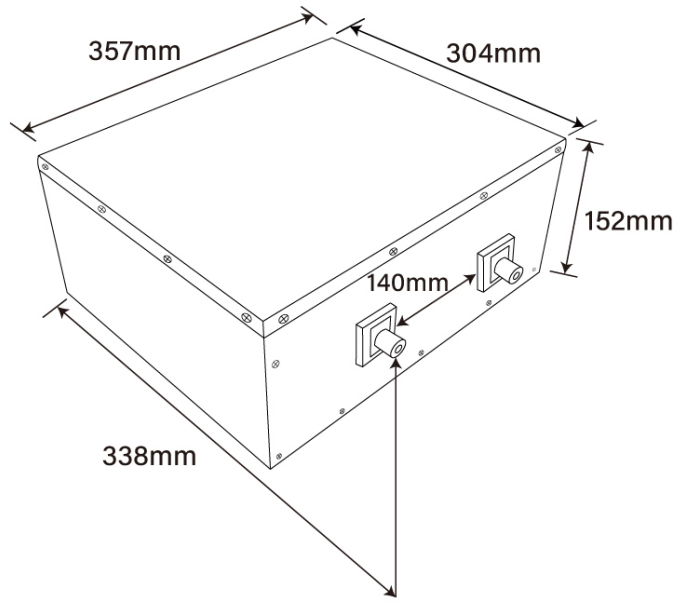
#### DISCHARGE PERFORMANCE

Continuous Discharge Current	50 A
Maximum continuous Discharge Current	150 A
Peak Discharge Cut-Off Current	450 A (5 ~15 ms)
Recommended Low Voltage Disconnect	10 V
Discharge Cut-Off Voltage	>8.4 V (50 ~ 150 ms)
Reconnect Voltage	>10 V
Short Circuit Protection	200 ~ 600 μs

#### MECHANICAL PERFORMANCE

Dimension (L x W x H)	357 x 338 x 152 mm
Weight	23.7 kg
Terminal Type	M8
Terminal Torque	80 ~ 100 in-lbs (9 ~ 11 N-m)
Bluetooth	Bluetooth 4.0 with smartphone app
Case Material	Metal
Enclosure Protection	IP65

#### DIMENSION



Dimensions L357 \* W338 \* H152 mm

#### TEMPERATURE PERFORMANCE

Discharge Temperature	-20 ~ 60 °C
Charge Temperature	0 ~ 45 °C
Storage Temperature	-5 ~ 35 °C
High Temperature Cut-Off	65 °C
Reconnect Temperature	48 °C

#### COMPLIANCE

Certifications	CE UN38.3 UL1642 & IEC62133
Shipping Classification	UN 3480, CLASS 9

