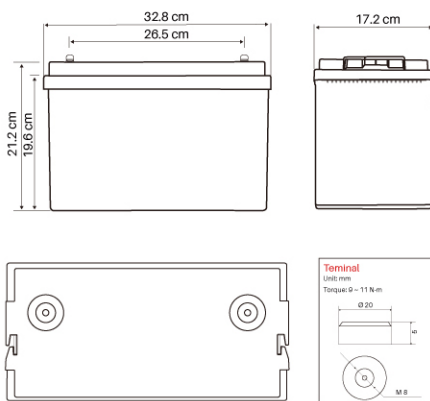


Olalitia LiFePO4 Smart BMS 12.8V 100Ah



BASIC INFORMATION



SPECIFICATIONS

Basic information	Model	OLA-12-100
	BMS (Battery Management System)	Integrated
	Rated capacity	100Ah / 1280Wh
	Number of cycles	>4500 @ 90% D.o.D
	Weight	11.7kg
	Dimensions (L x W x H) mm	328*172*212mm ± 2mm
	Operating voltage range	10 -14.6V
	Rated voltage	12.8V
	Warranty	3 years
Charge	Charging characteristics	CCCV / IU
	Charging voltage	14.6V
	Recommended charging current	20A
	Maximum charge current	100A
Discharge	Maximum discharge current	150A
	Discharge cut-off current maximum (5 ~ 15ms)	(5 ~ 15ms) 450A
Temperature	Temperature range (discharge)	-20 ~ 60 °C
	Temperature range (charge)	0 ~ 45 °C
	Temperature range (storage)	-5 ~ 35 °C
	Ingress protection code	IP65
Material	Material of case	ABS
	Terminals	M8
Intelligent monitoring	Bluetooth	Bluetooth 4.0 with application for smartphone Allow control and load of different elements of an accumulator battery and protect it of overloads, surges and overheating
	Connection	4 Series and 4 Parallel connection

SPANISH QUALITY

- The safest technology, without risk of fire or explosion
- Long useful life
- Constant improvement of the capacity of storage
- Great stability even under extreme loads
- No memory effect, no need to completely cycle

APPLICATIONS



Motorhome; Caravan



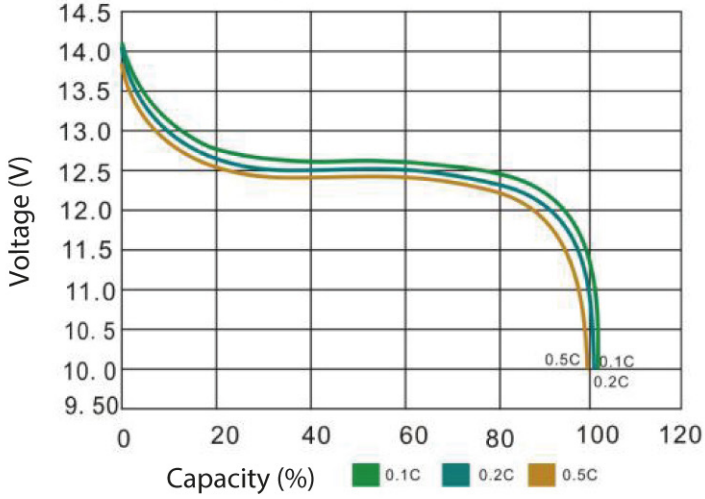
Boat; Yacht



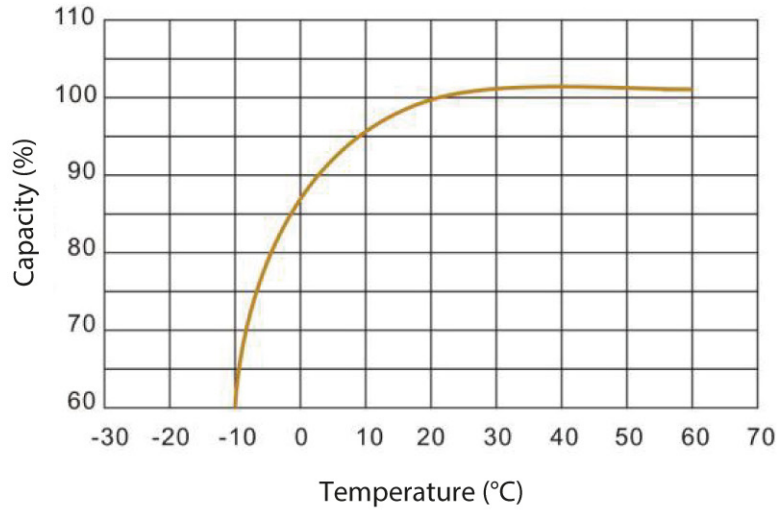
Photovoltaic; Renewable energy

Performance characteristic

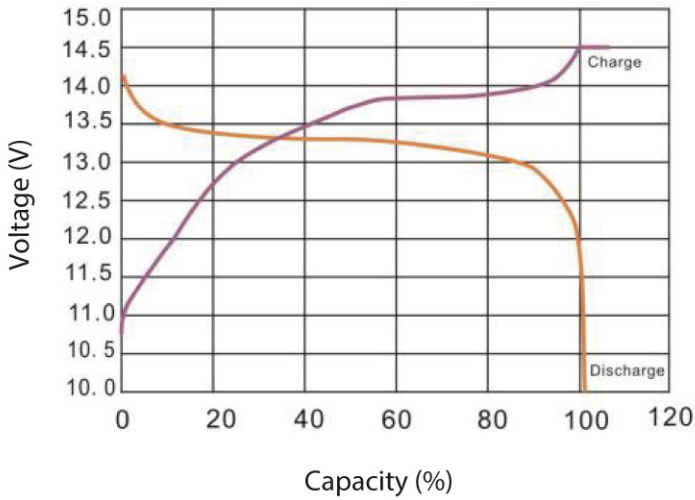
Discharge performance at 25°C



Temperature effect on capacity at 0.2C



Charge and Discharge at 25°C, 0.2C



Cycle Life with DOD at 25°C, 0.2C

