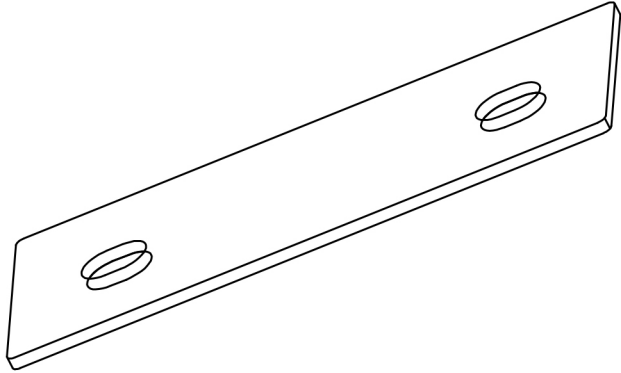
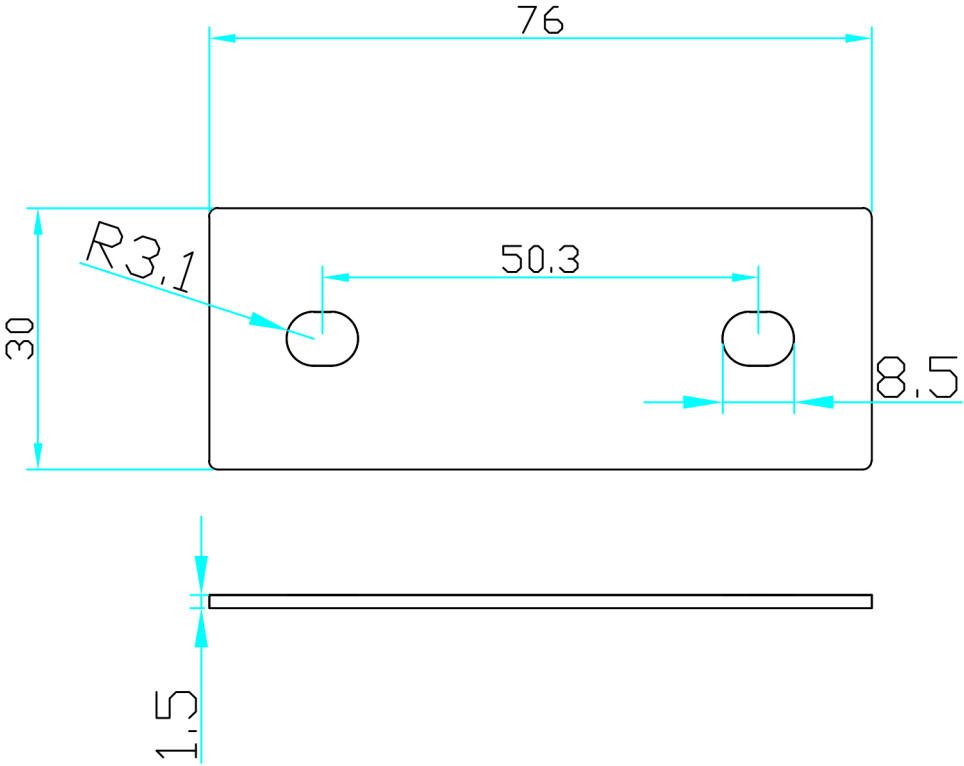


Date	Rev.	Revisions	Signed
2024.5.21	A0	首次发行	叶锐



Technical requirement

1. Material: 1060 aluminum bar, anti oxidation, 1.5mm thick
2. Appearance requirements: The product is intact without any damage, and the surface is smooth without burrs;
3. Unmarked dimensional tolerances shall be in accordance with the conventional tolerance table; The unmarked form and position tolerances are based on GB/T 1184-K grade;
4. Material temperature resistance: $-40\sim+100\text{ }^{\circ}\text{C}$, performance meets the relevant provisions of GB/T 7141;
5. The chemical corrosion resistance of the product meets the relevant regulations of ISO-16750-5-2010;
6. This product complies with RoHS 2.0;
7. Environmental requirements. The product must comply with our company's "Environmental Hazardous Substance Control Standards for Parts"

第一视角				TITLE :		SHEET: 1 OF 1	
UNLESS OTHERWISE SPECIFIED GENERAL TOLERANCE:				MODEL :		DWG NO. :	
LEVEL	TOLERANCE TYPE			SELECT	PART NO. : 119000547		DRAWN :
DIM.	I	II	III	LEVEL	MATERIAL :		CHECKED :
<3	±0.03	±0.05	±0.15	II	FINISHED :		APPROVED :
>3~50	±0.05	±0.10	±0.15		UNIT: MM		SIZE: A4
>50~100	±0.05	±0.10	±0.2		SCALE: 1:1		REV. A0
>100	±0.08%	±0.1%	±0.3%				
ANGULAR	±0.5'	±0.5'	±1'				